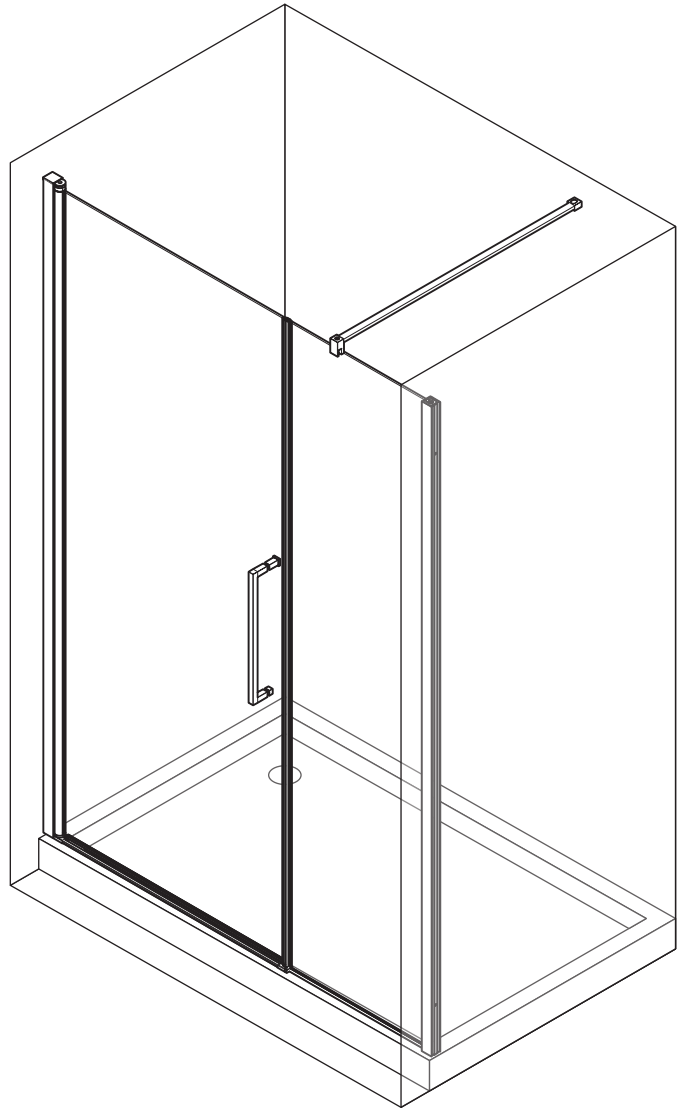
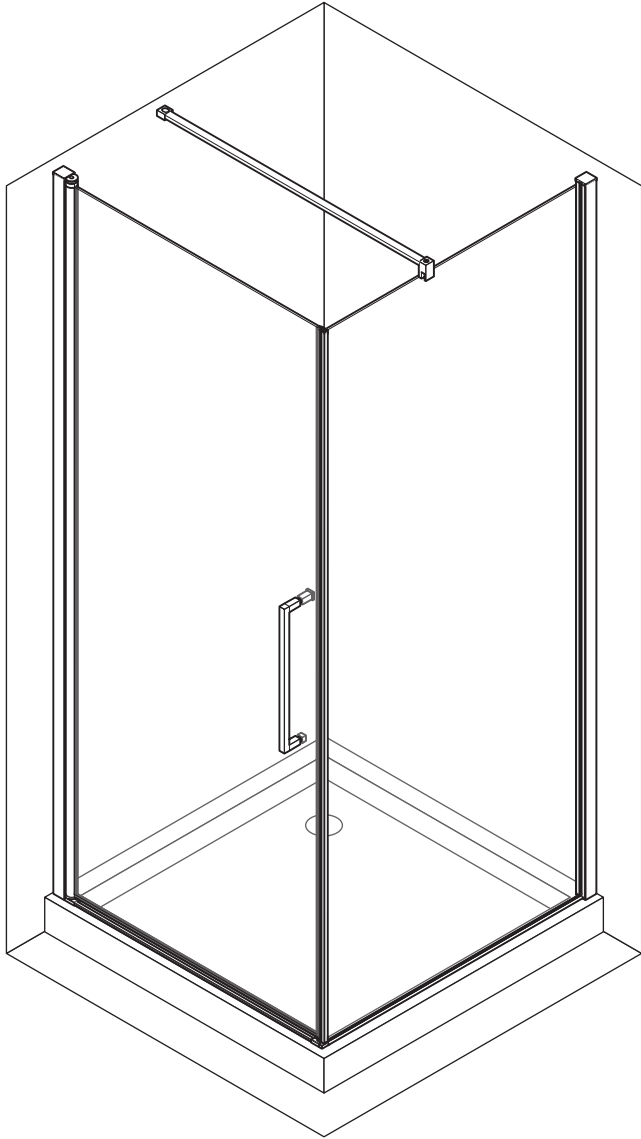
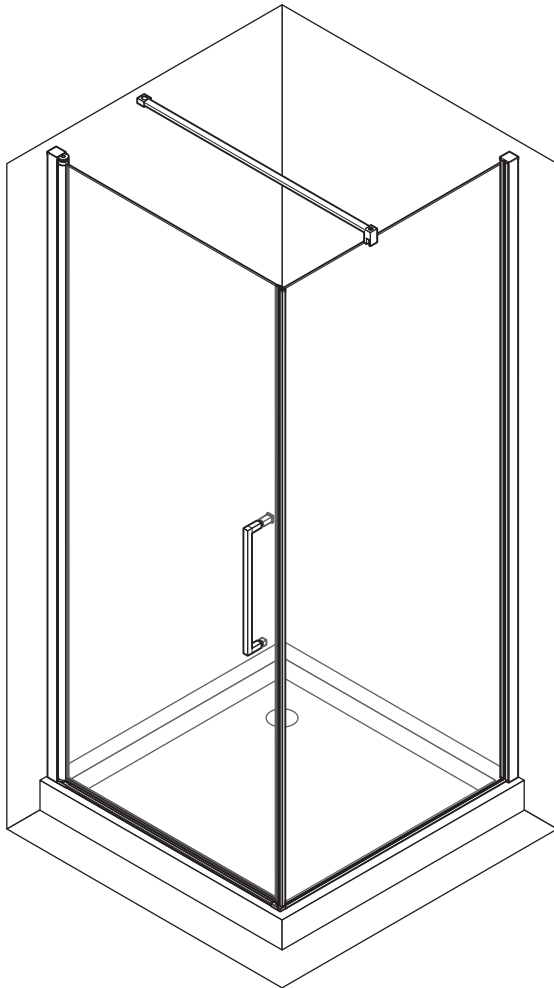


GF

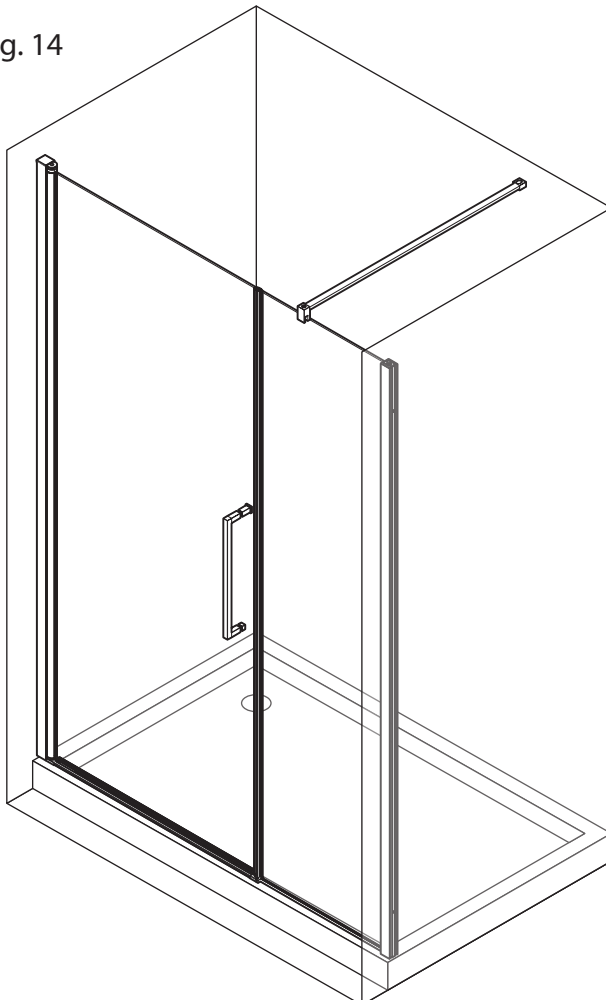


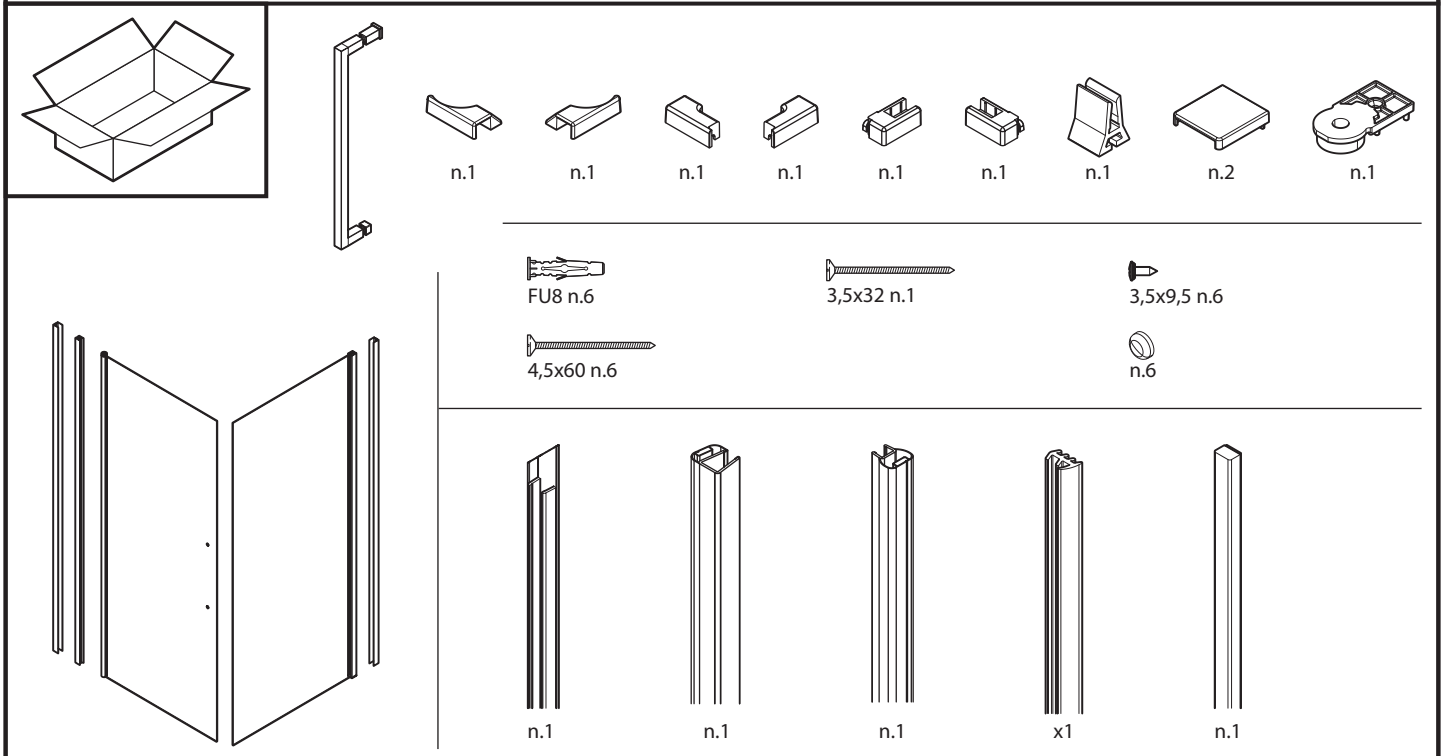
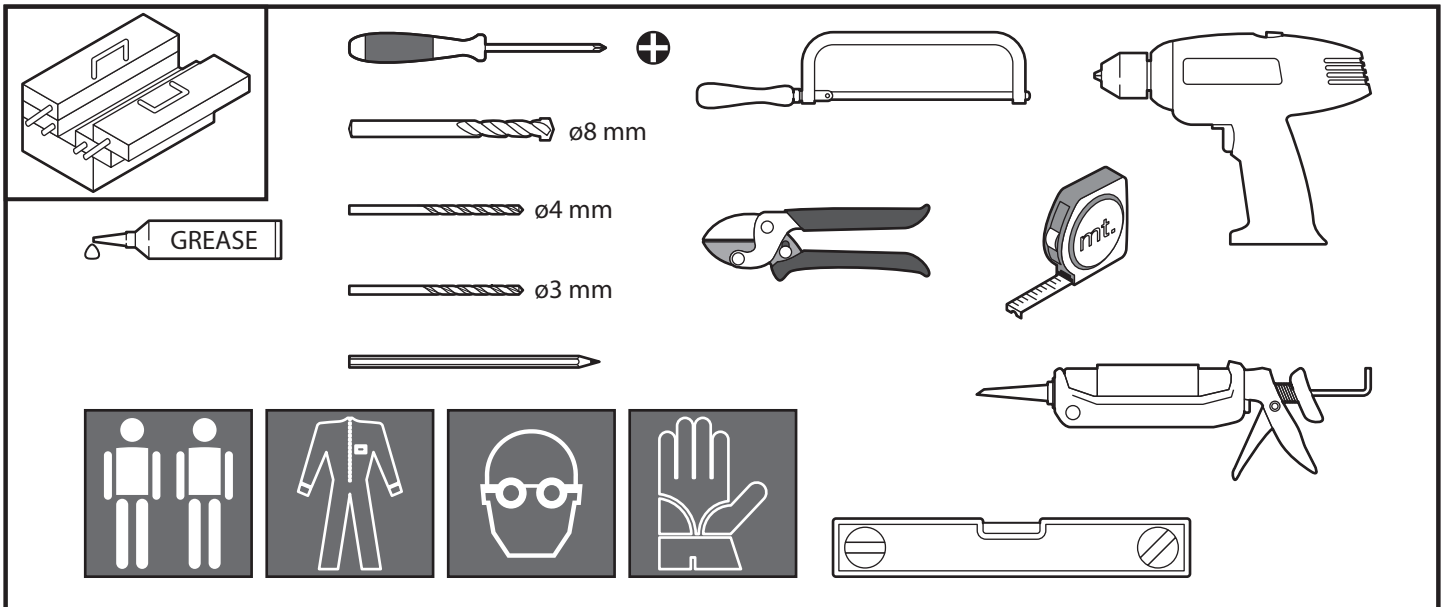
<hr/> <hr/> <hr/> <hr/>	<hr/> <hr/> <hr/> <hr/>
-------------------------	-------------------------

GF pag. 3

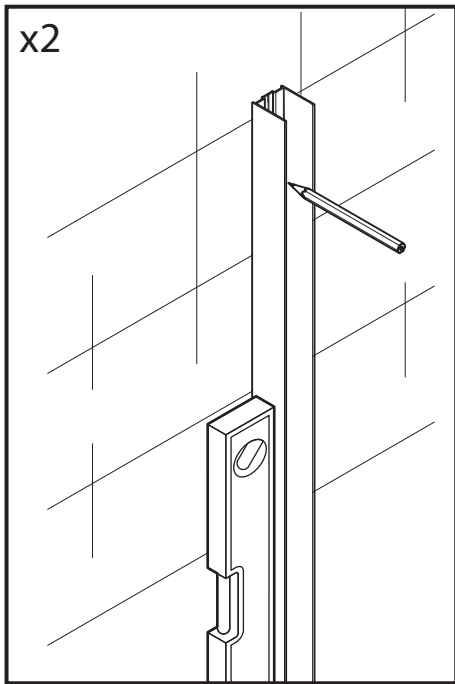
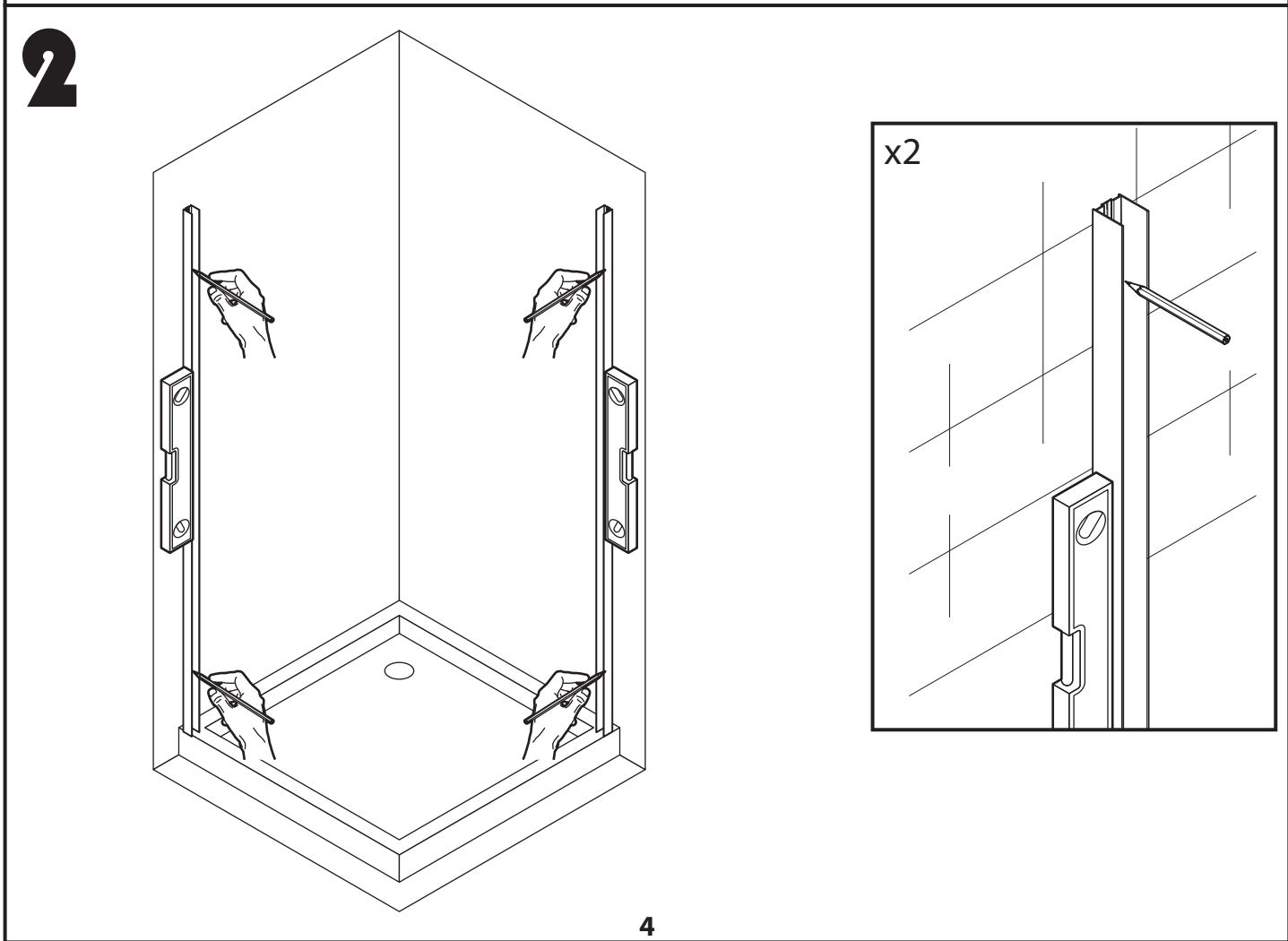
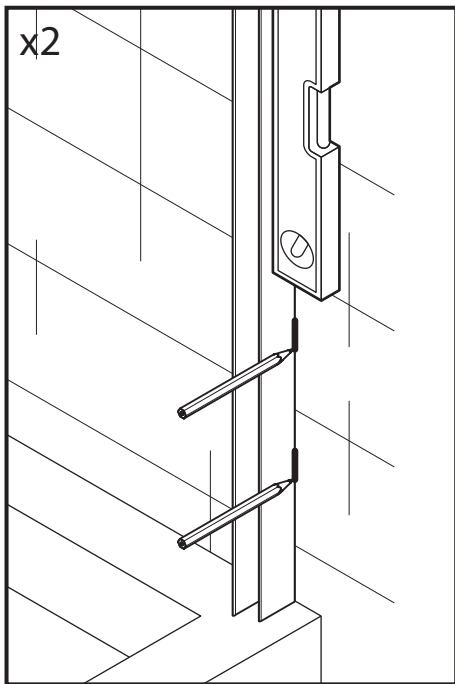
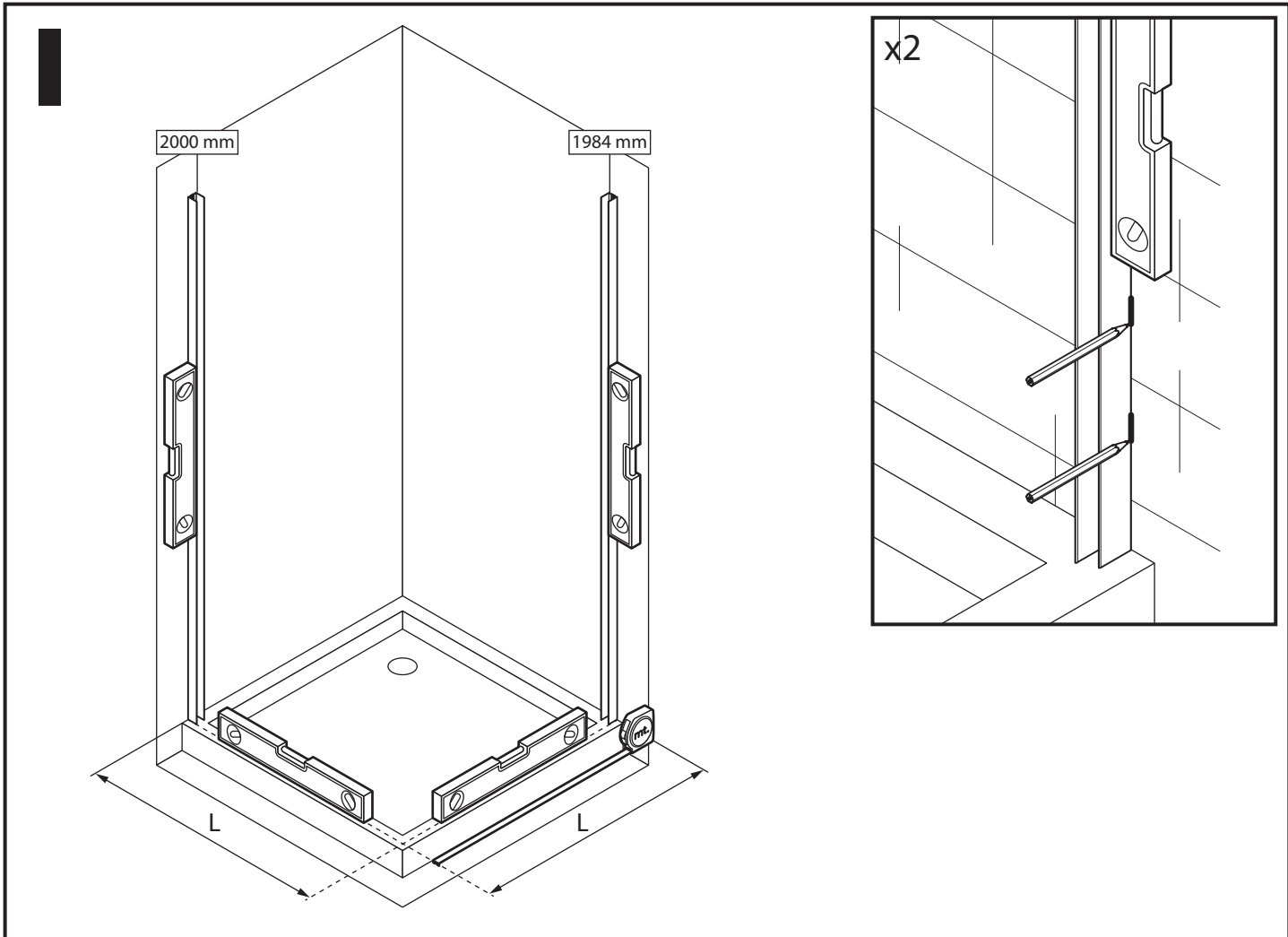


G+FL pag. 14

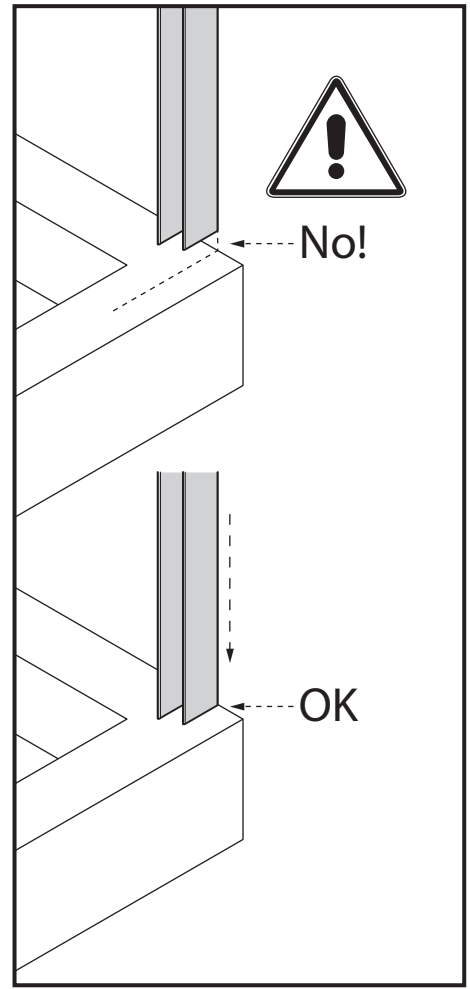
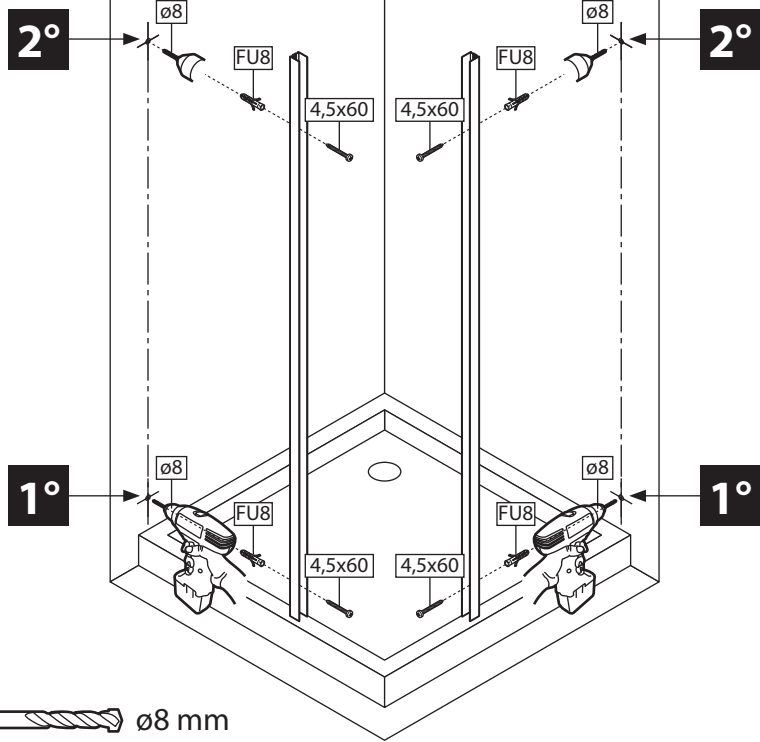




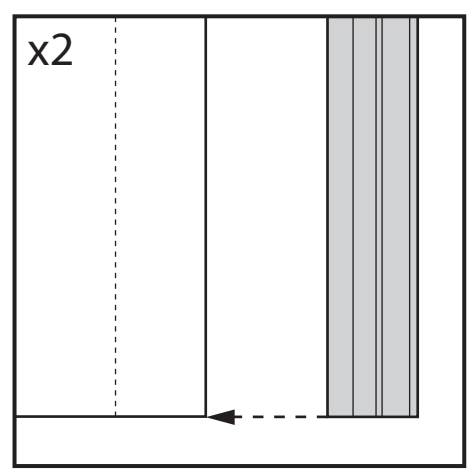
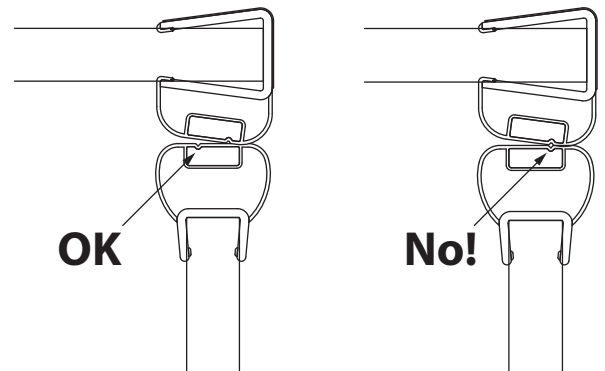
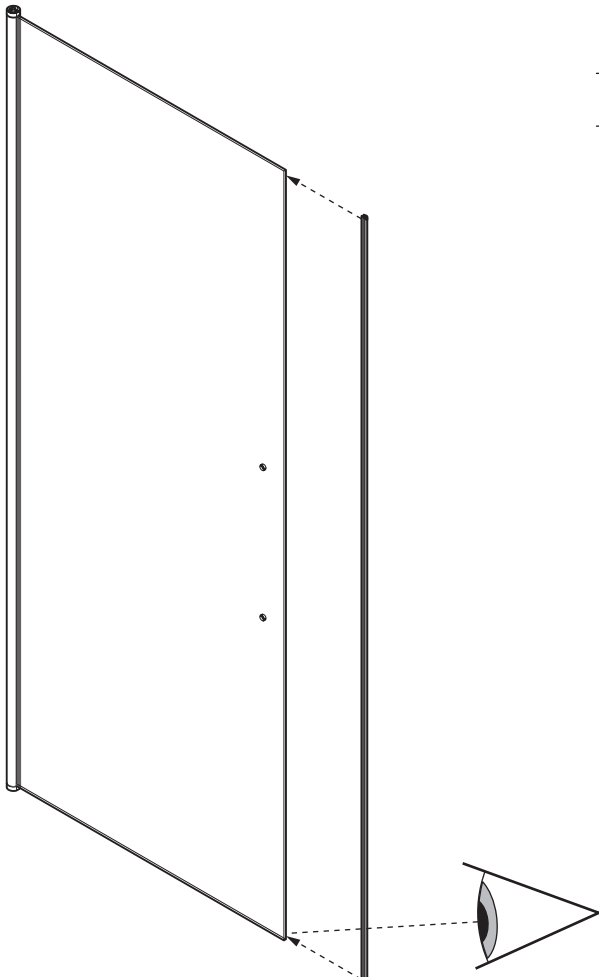
FG57	L=57-59 cm	G57	L=57-59 cm
FG59	L=59-61 cm	G59	L=59-61 cm
FG61	L=61-63 cm	G61	L=61-63 cm
FG65	L=65-67 cm	G65	L=65-67 cm
FG67	L=67-69 cm	G67	L=67-69 cm
FG69	L=69-71 cm	G69	L=69-71 cm
FG73	L=73-75 cm	G72	L=72-74 cm
FG75	L=75-77 cm	G74	L=74-76 cm
FG76	L=76-78 cm	G76	L=76-78 cm
FG77	L=77-79 cm	G77	L=77-79 cm
FG79	L=79-81 cm	G79	L=79-81 cm
FG81	L=81-83 cm	G81	L=81-83 cm
FG85	L=85-87 cm	G85	L=85-87 cm
FG87	L=87-89 cm	G87	L=87-89 cm
FG89	L=89-91 cm	G89	L=89-91 cm
FG91	L=91-93 cm	G91	L=91-93 cm
FG95	L=95-97 cm	G93	L=93-95 cm
FG97	L=97-99 cm	G95	L=95-97 cm
FG99	L=99-101 cm	G97	L=97-99 cm
FG101	L=101-103 cm	G99	L=99-101 cm
FG117	L=117-119 cm	G101	L=101-103 cm
FG119	L=119-121 cm		



3

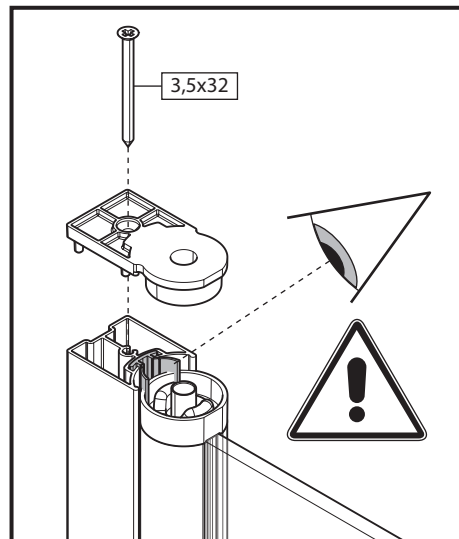
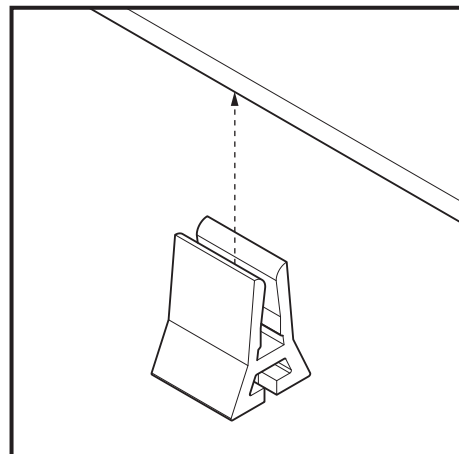
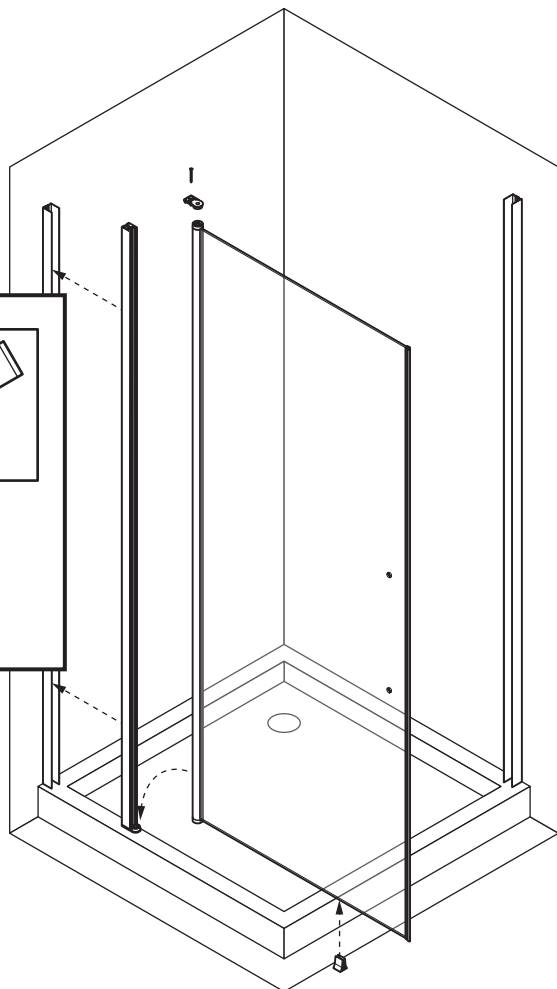
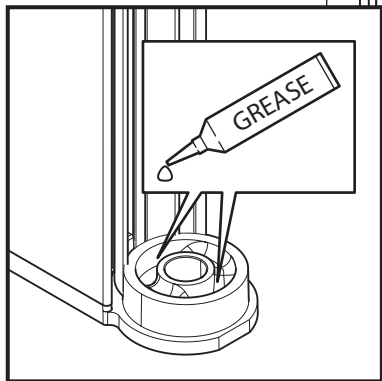


4

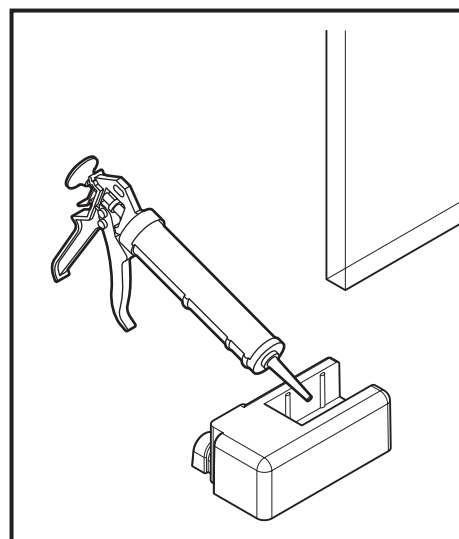
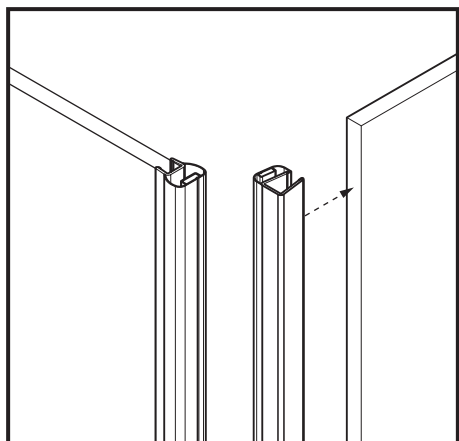
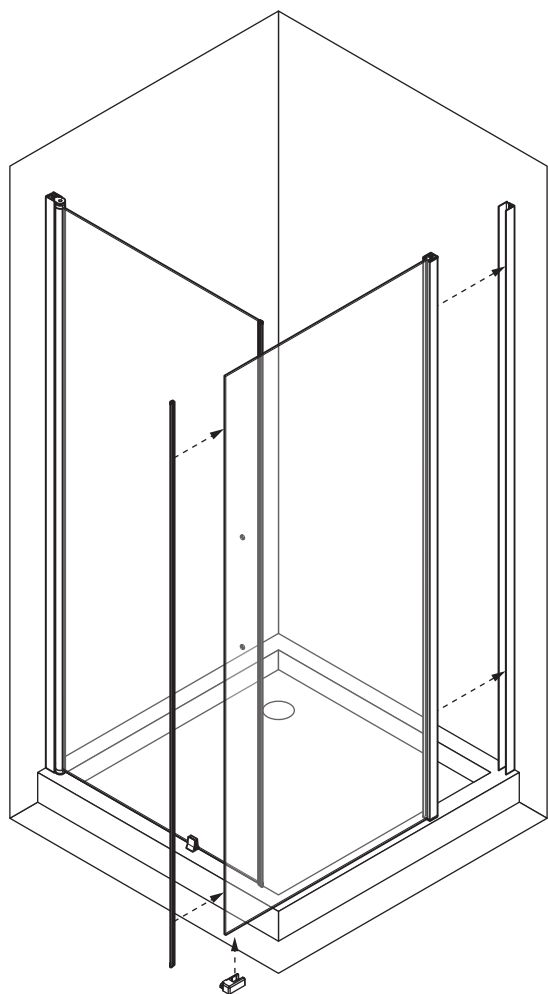


5

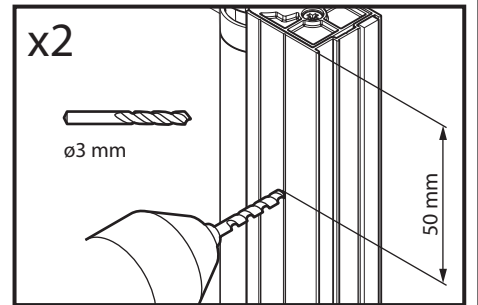
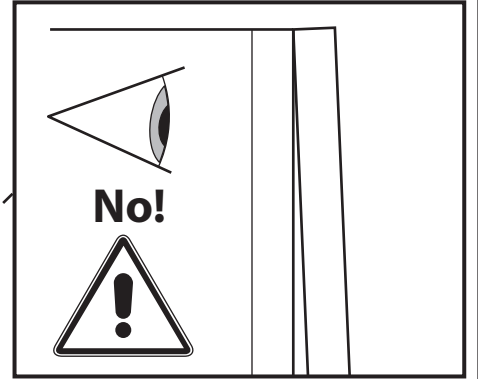
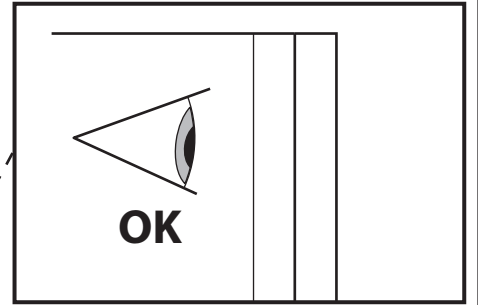
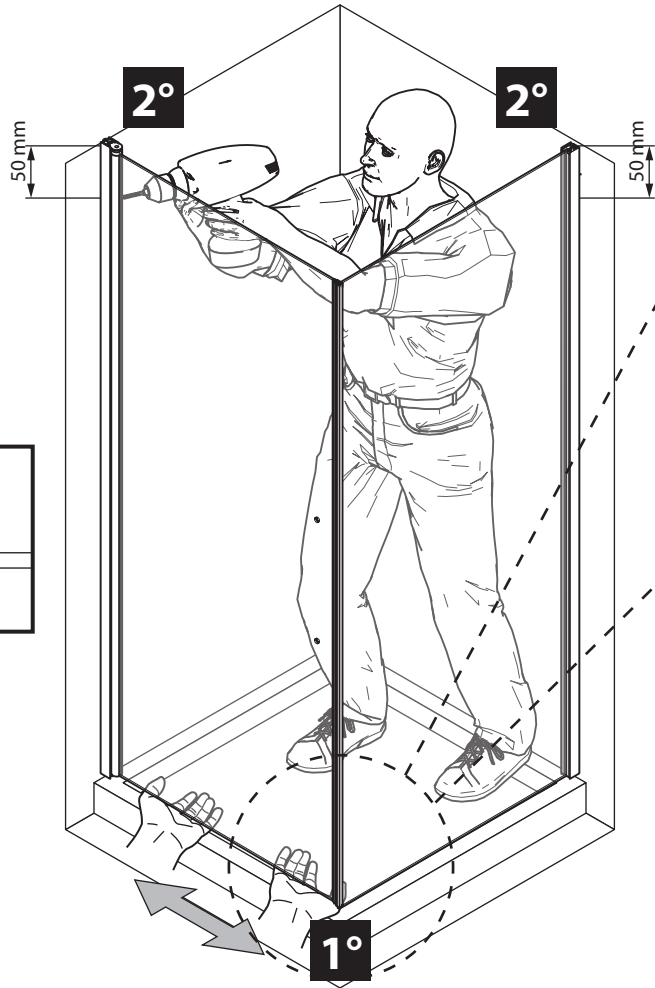
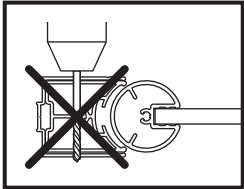
5



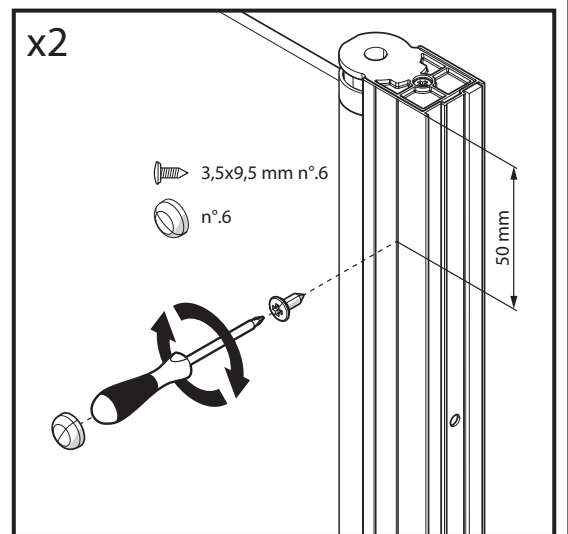
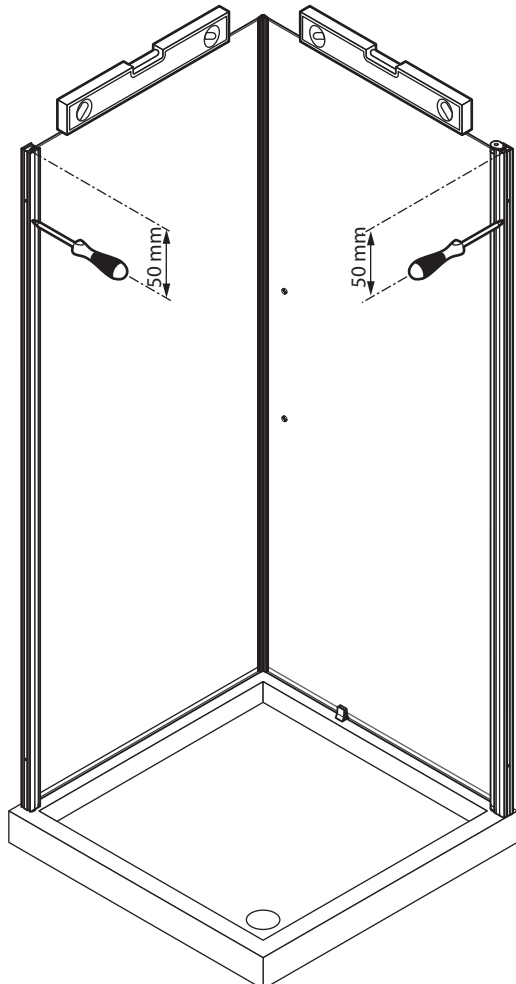
6



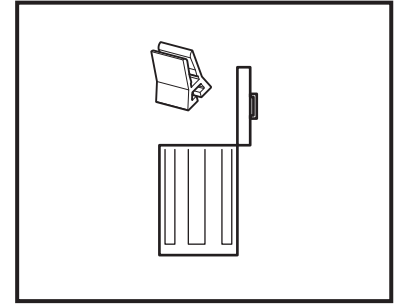
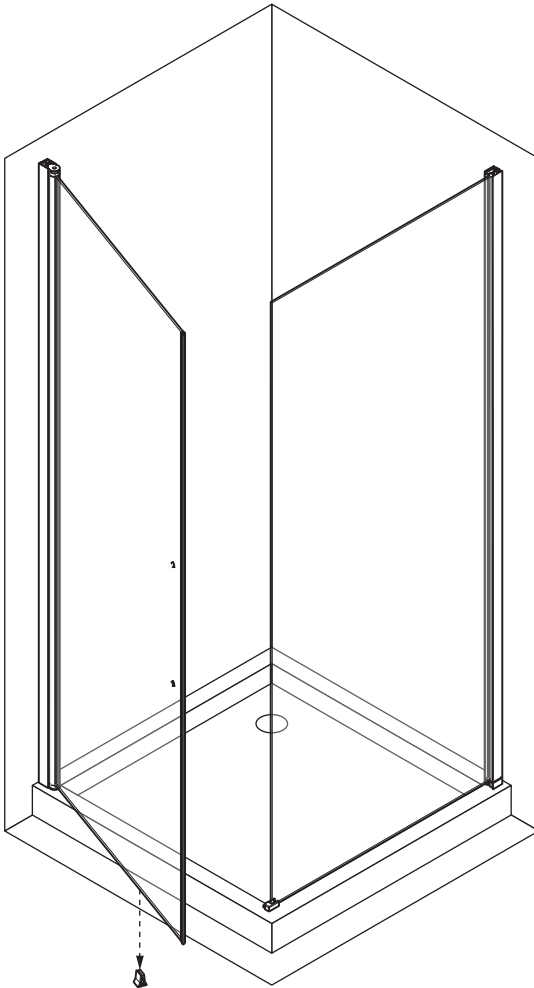
7



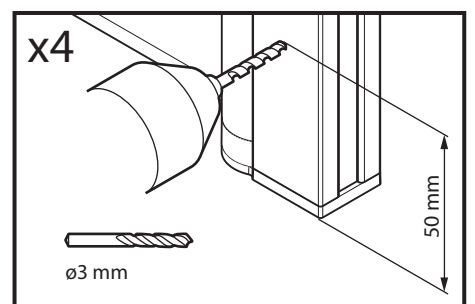
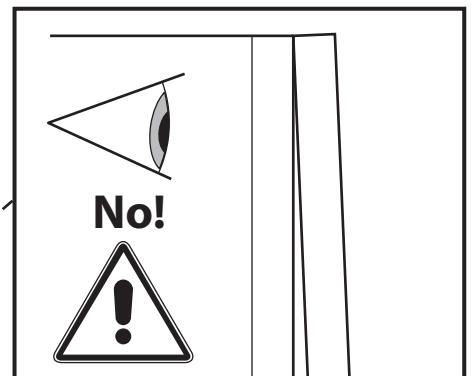
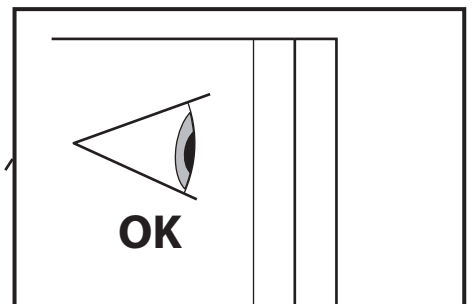
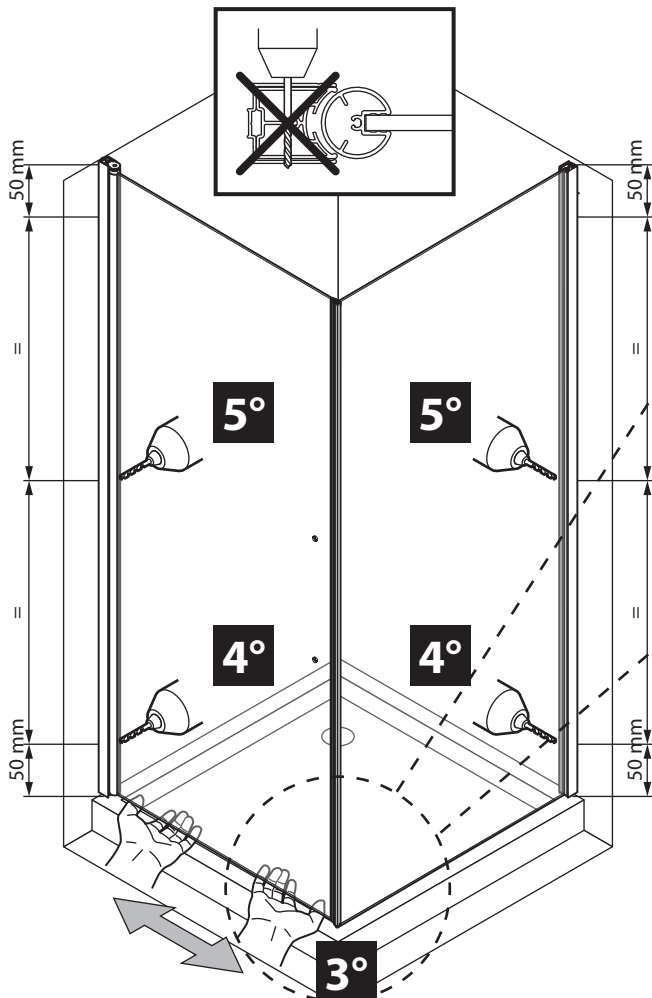
8



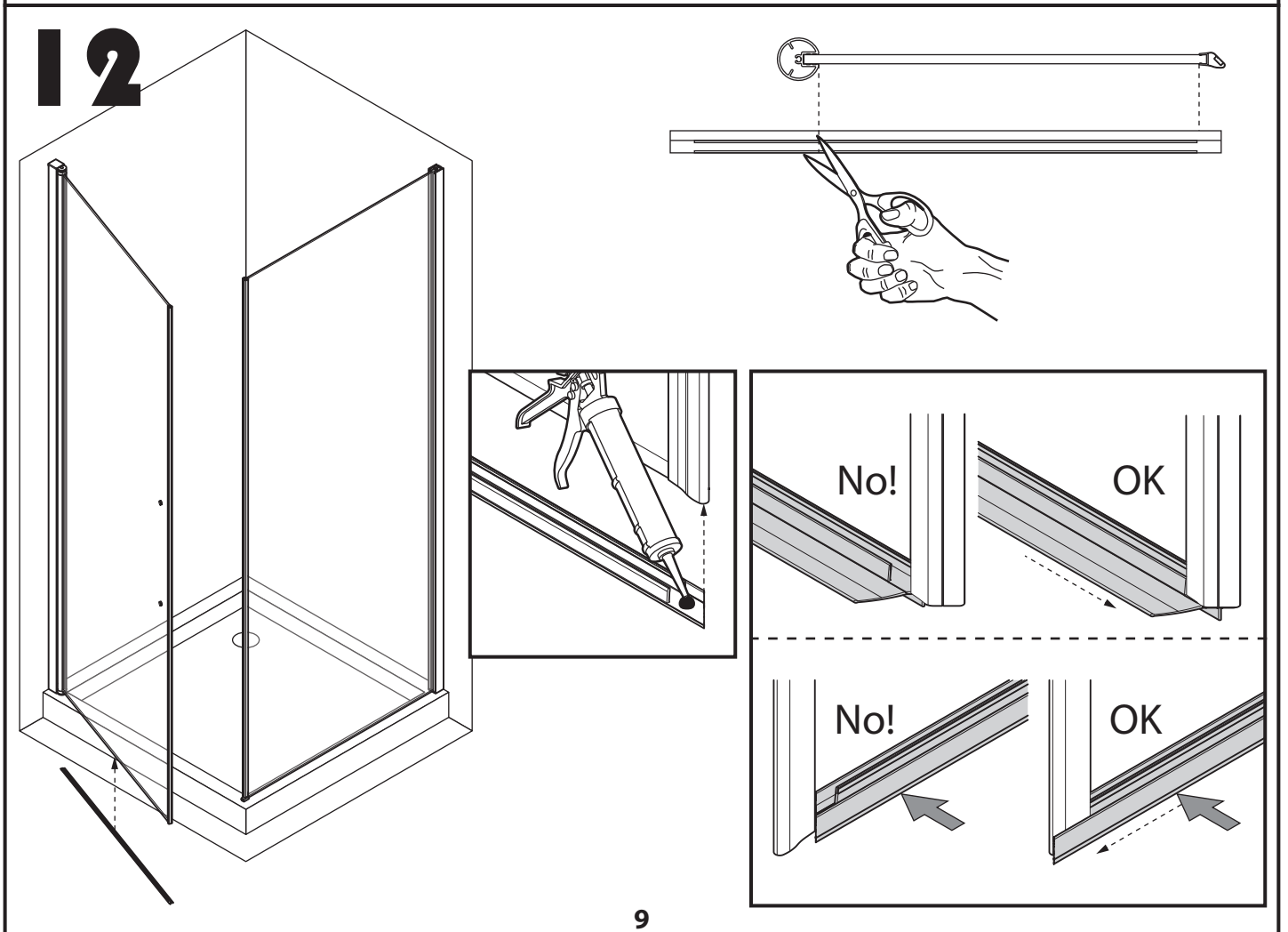
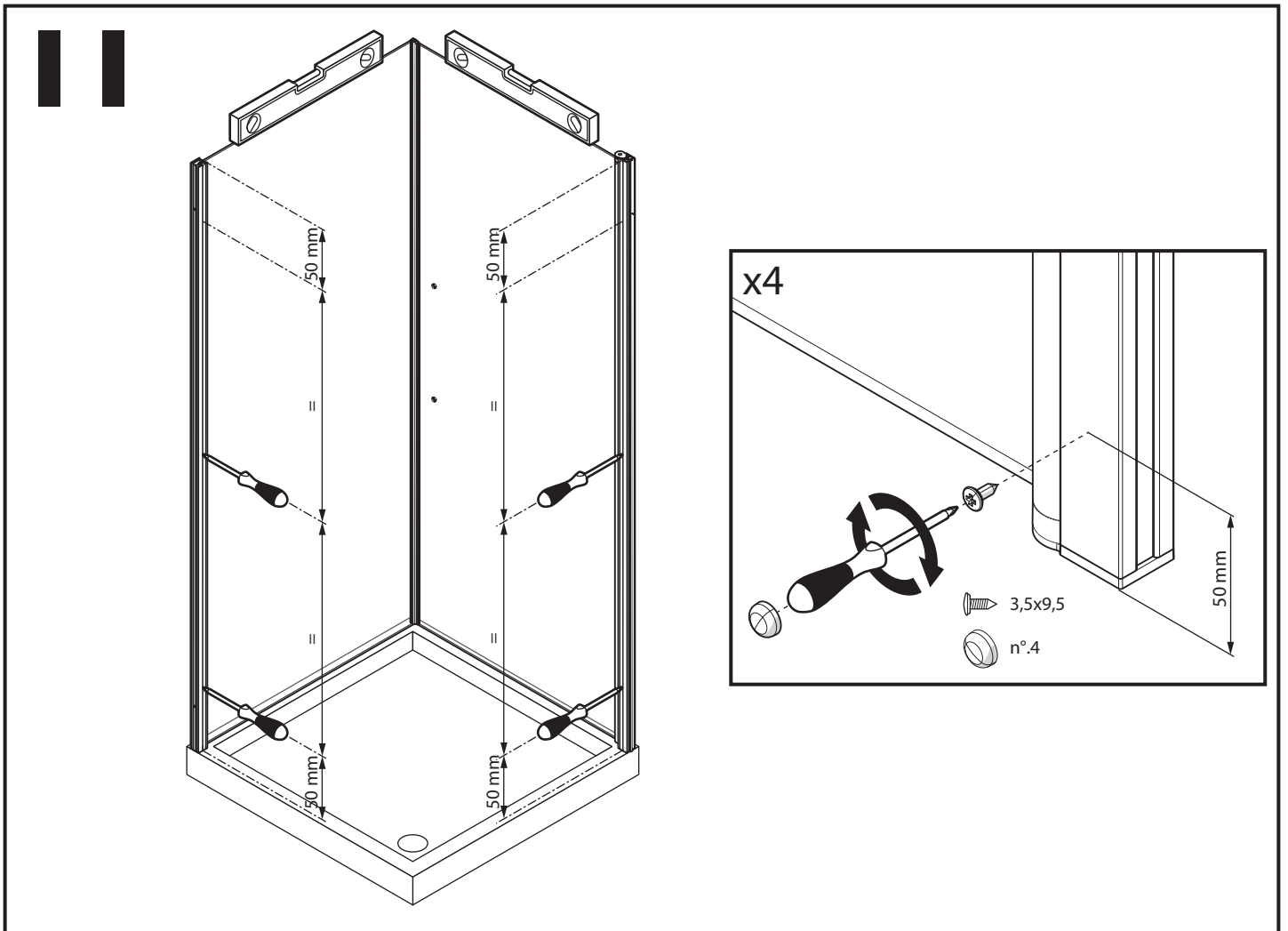
9



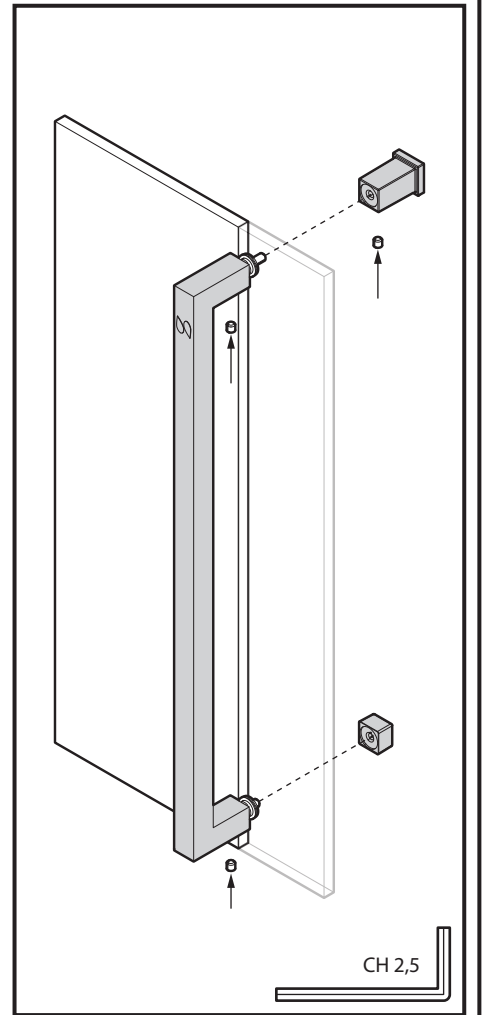
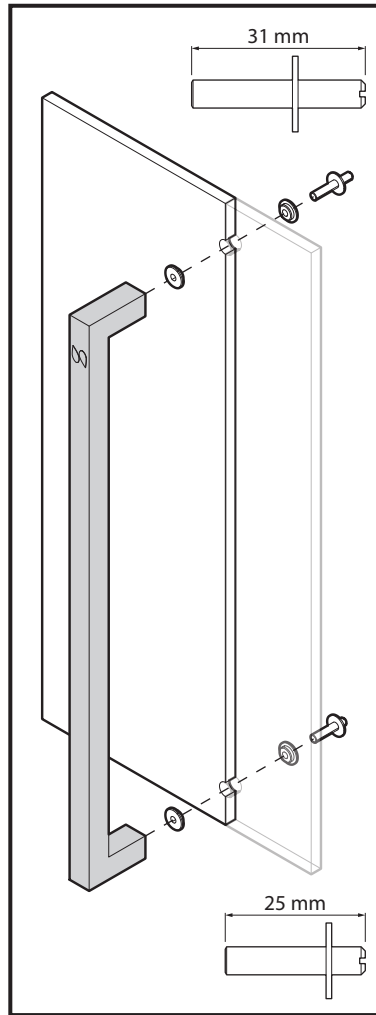
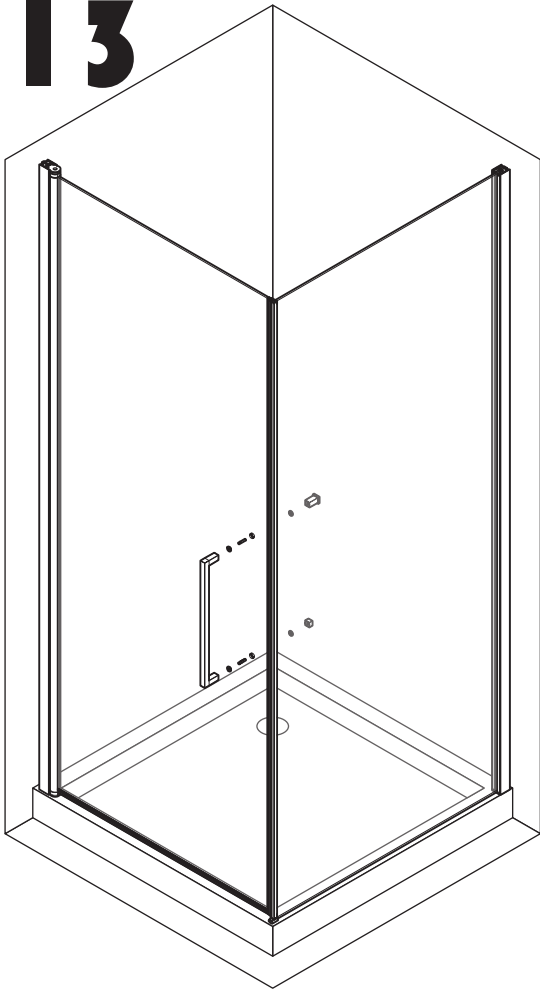
10



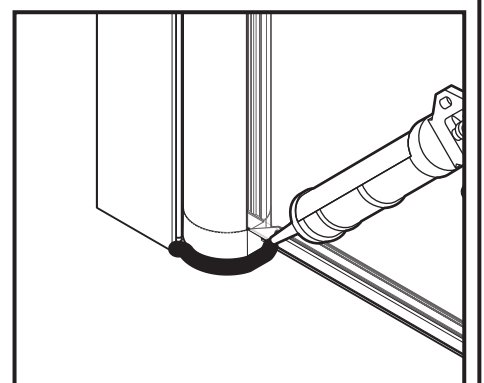
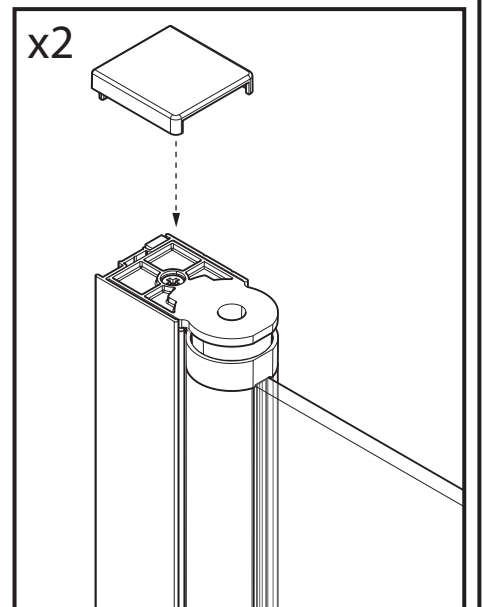
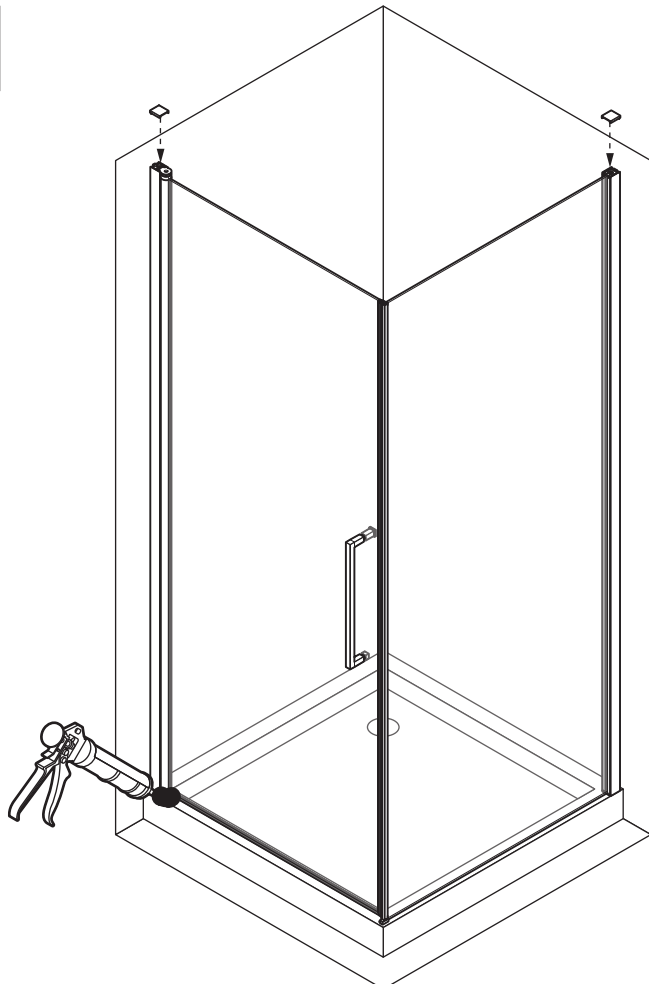
8



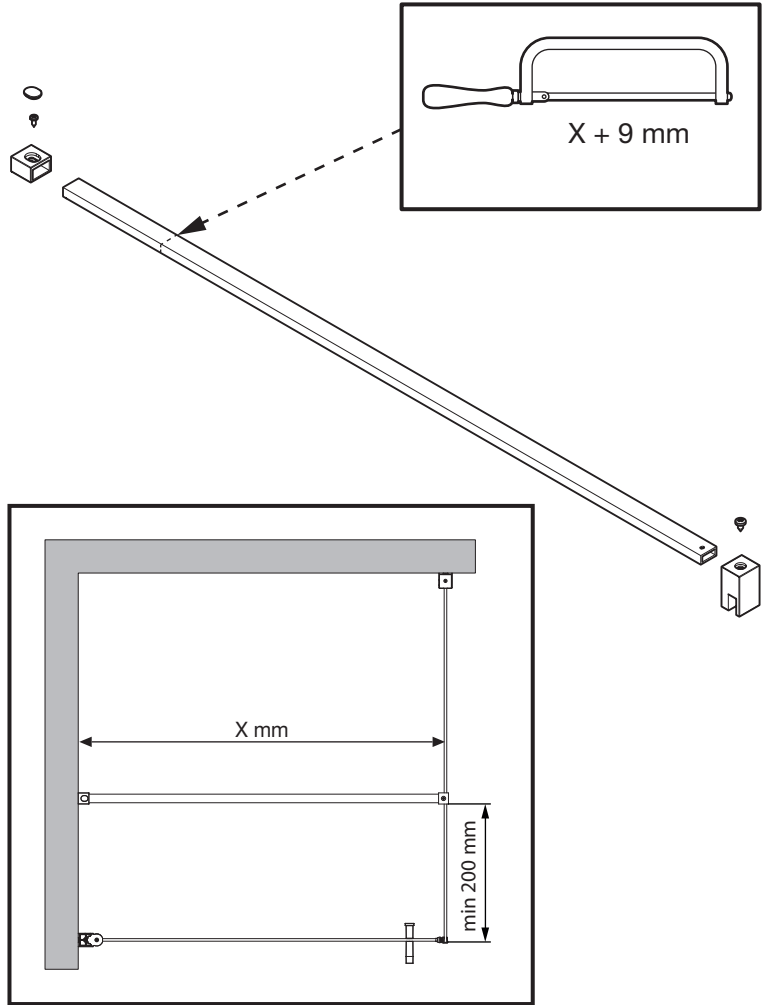
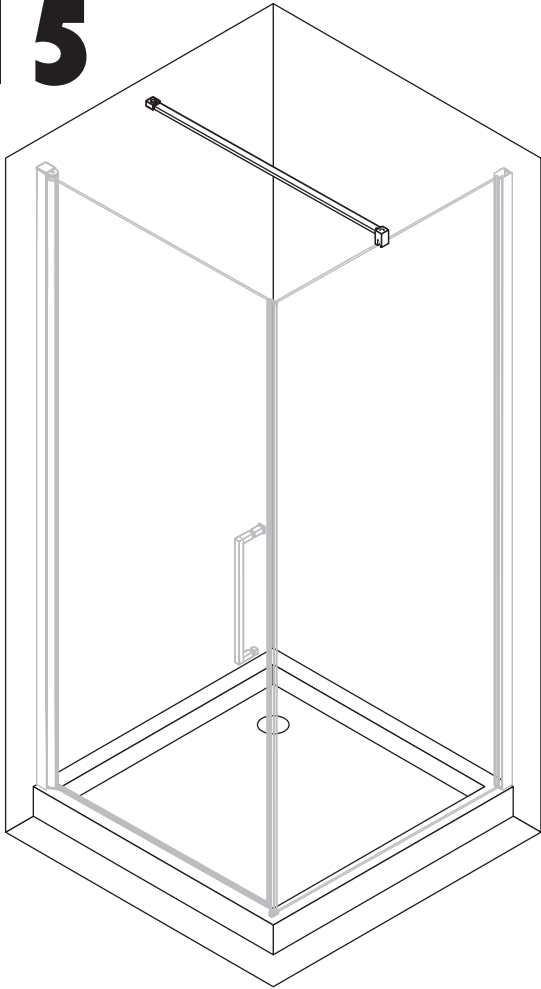
13



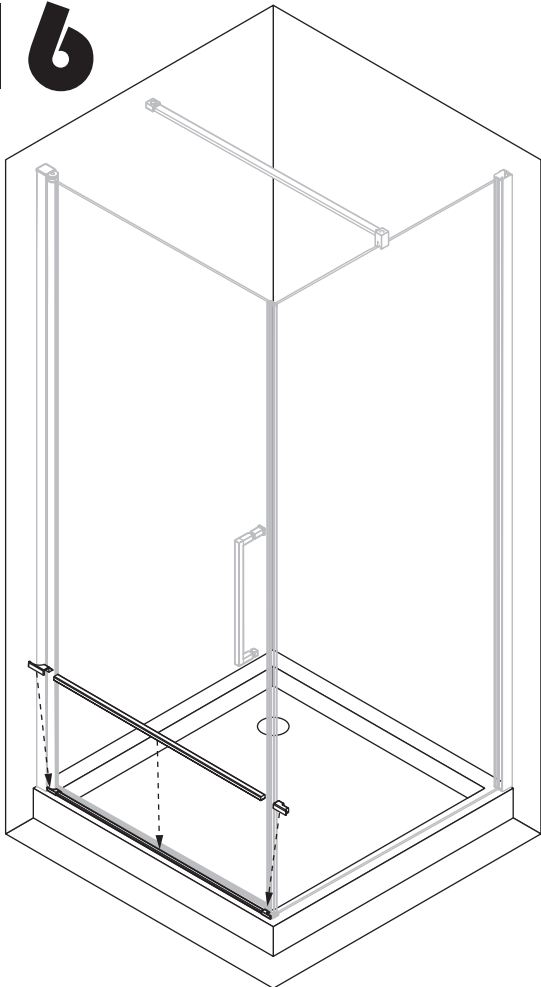
14



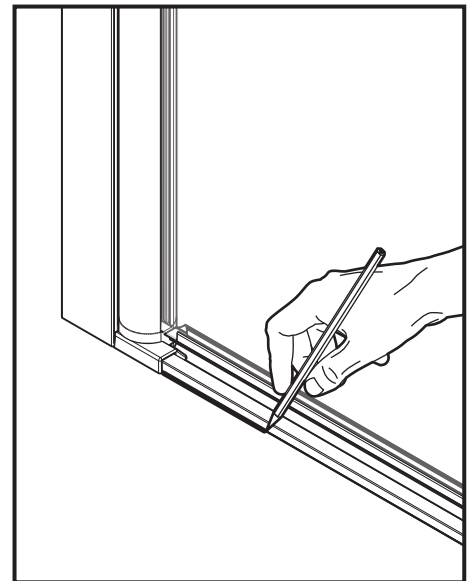
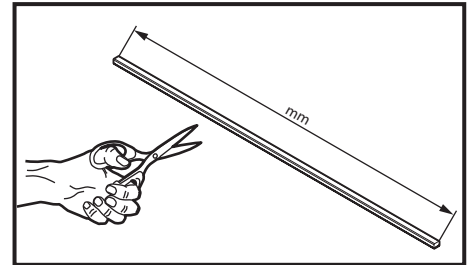
15



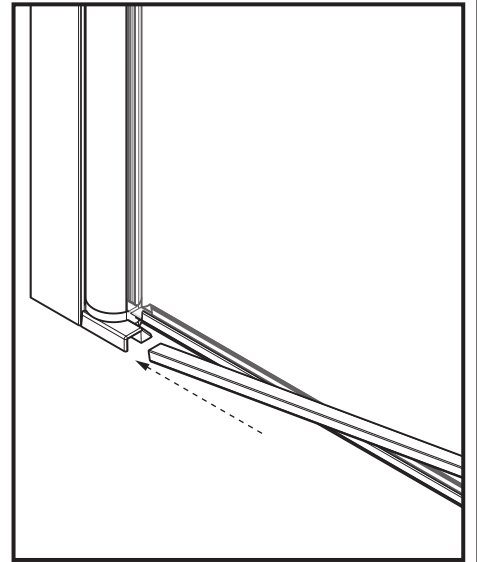
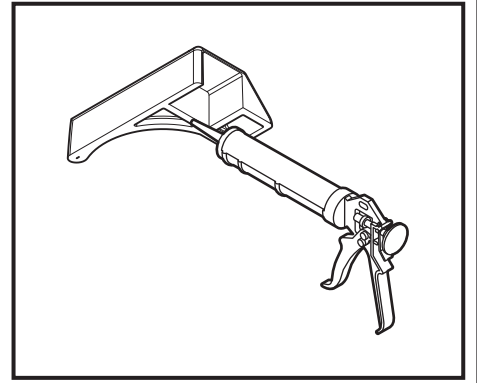
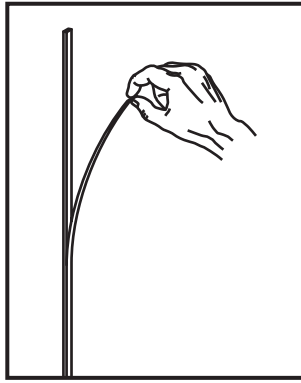
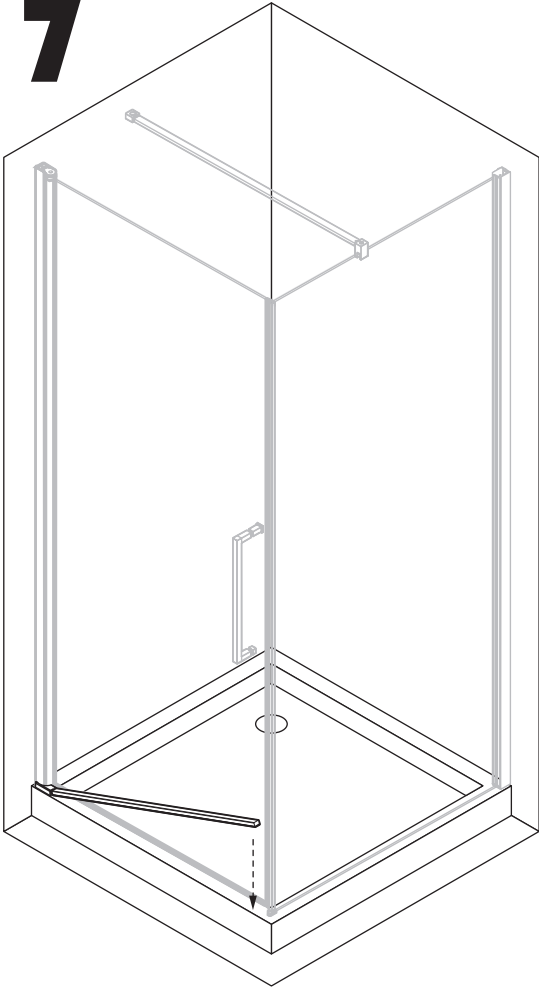
16



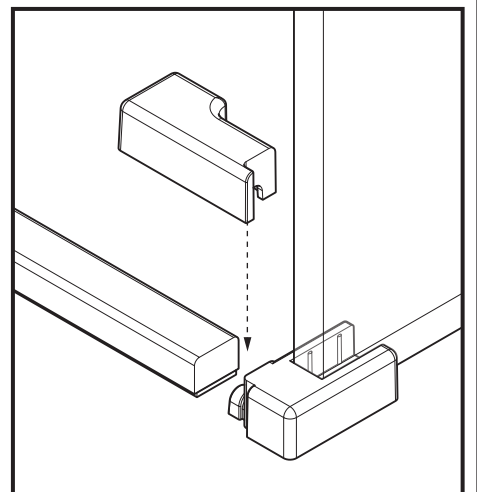
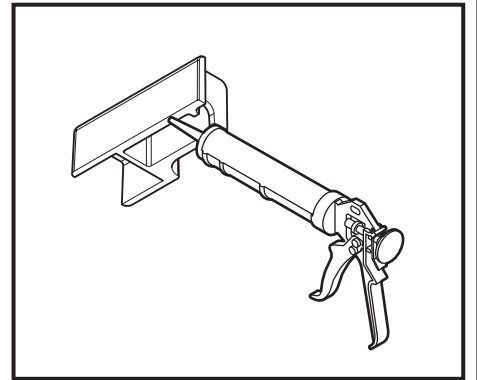
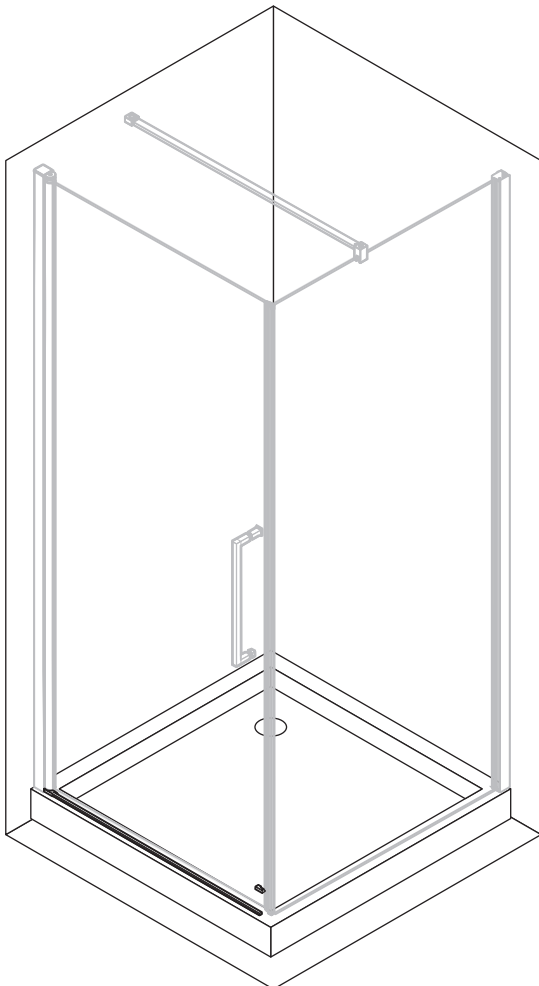
mod. G	mm
57-59	472
59-61	492
61-63	512
65-67	552
67-69	572
69-71	592
72-74	622
74-76	642
76-78	662
77-79	672
79-81	692
81-83	712
85-87	752
87-89	772
89-91	792
91-93	812
93-95	832
95-97	852
97-99	872
99-101	892
101-103	912



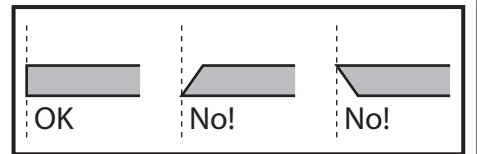
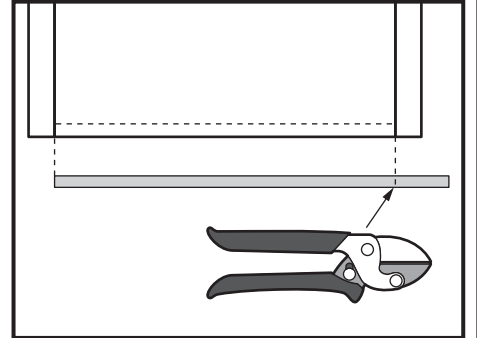
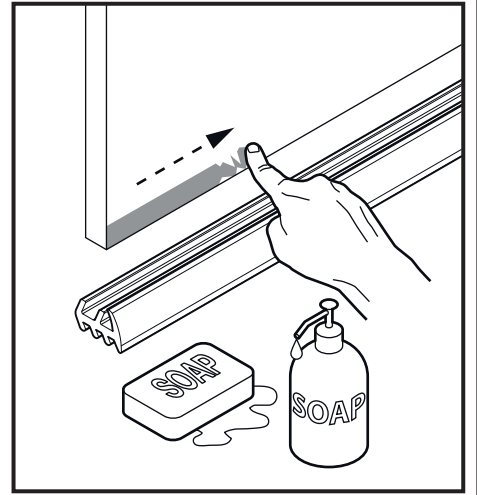
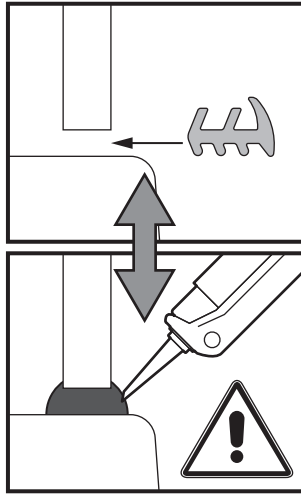
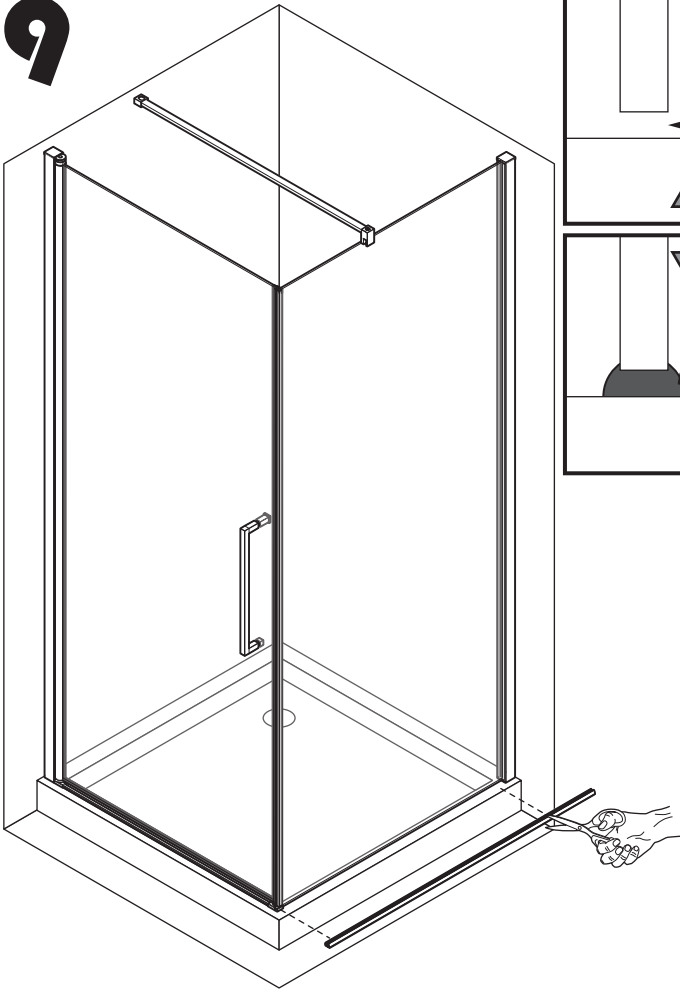
17



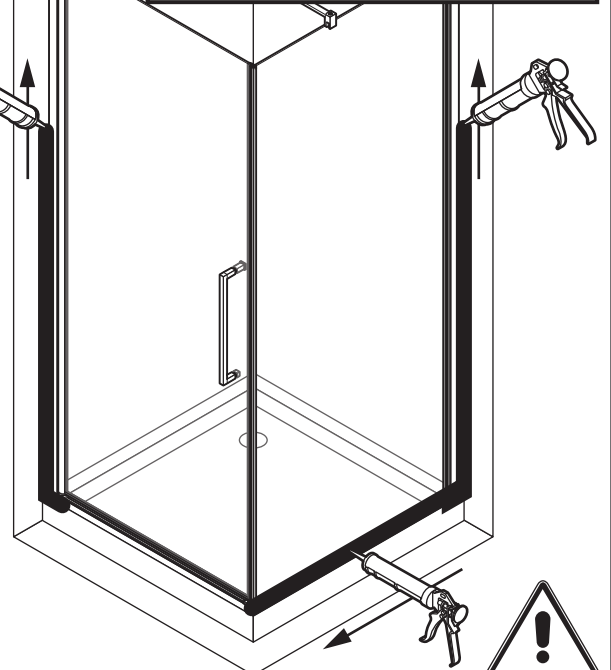
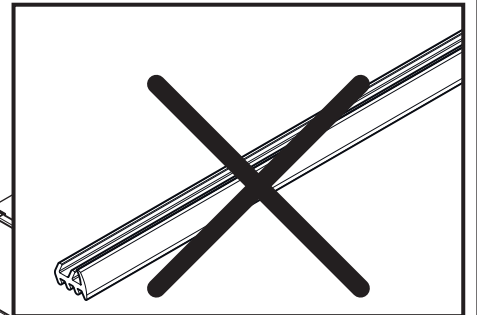
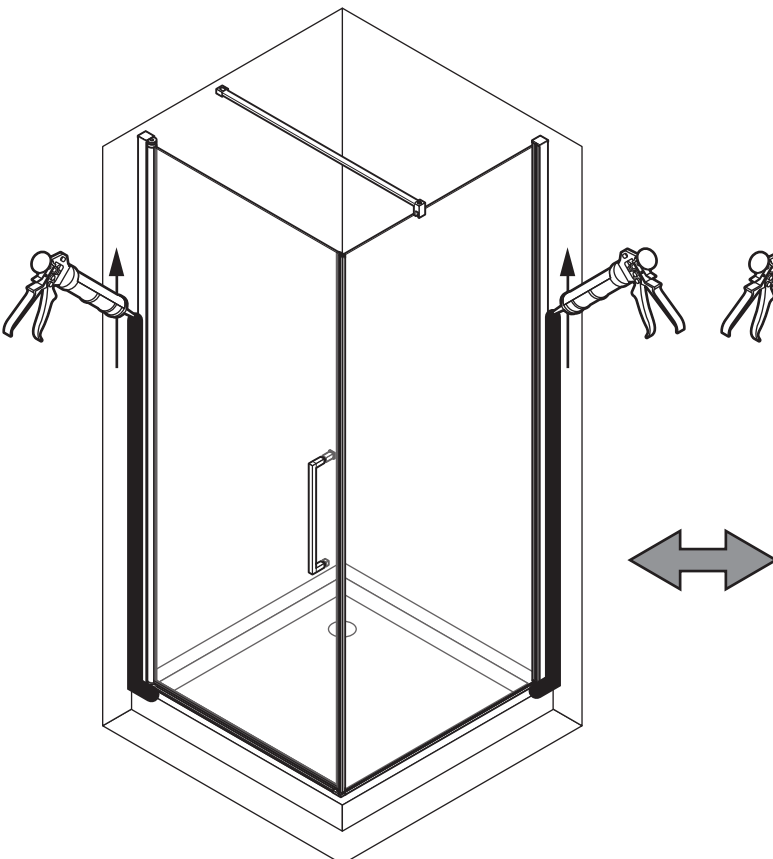
18

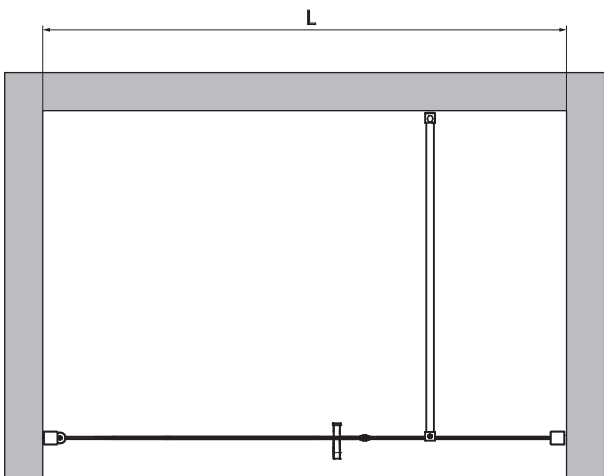
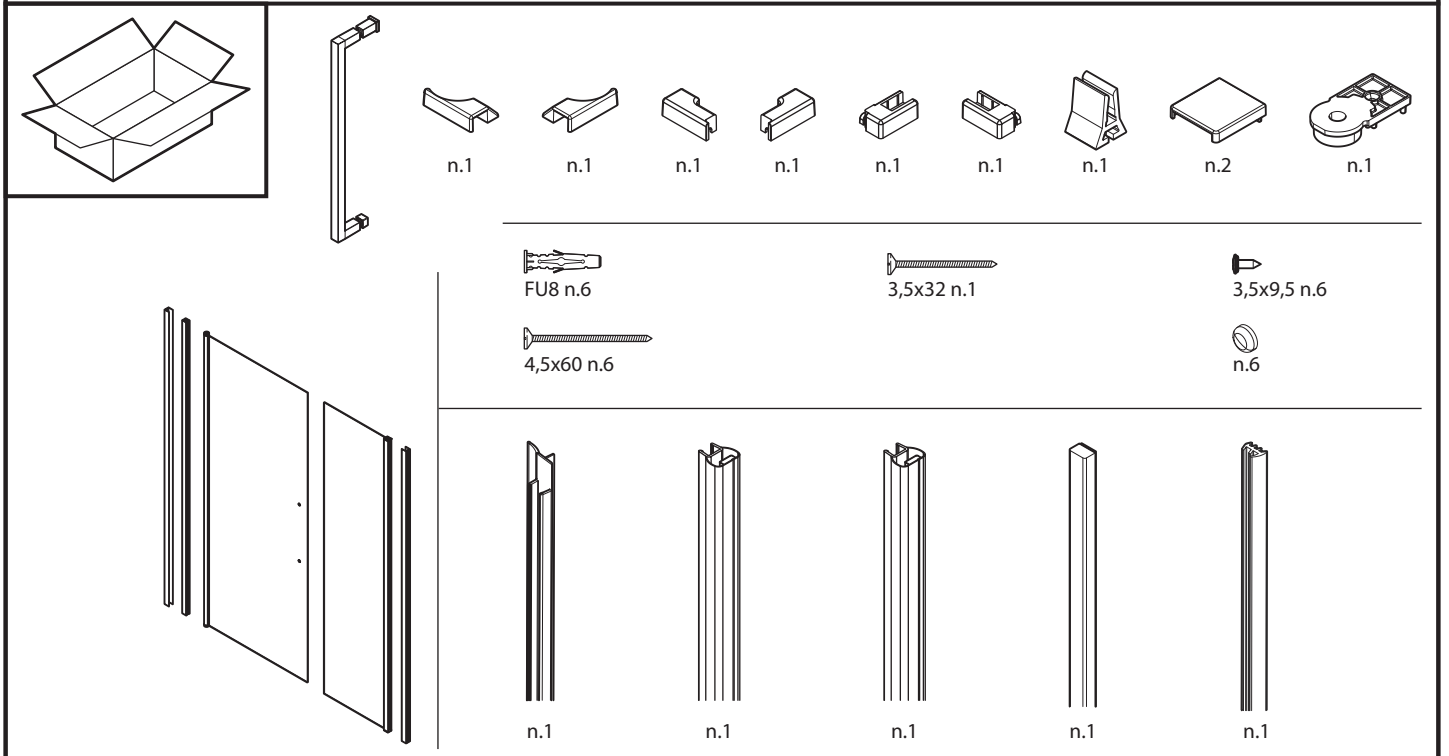
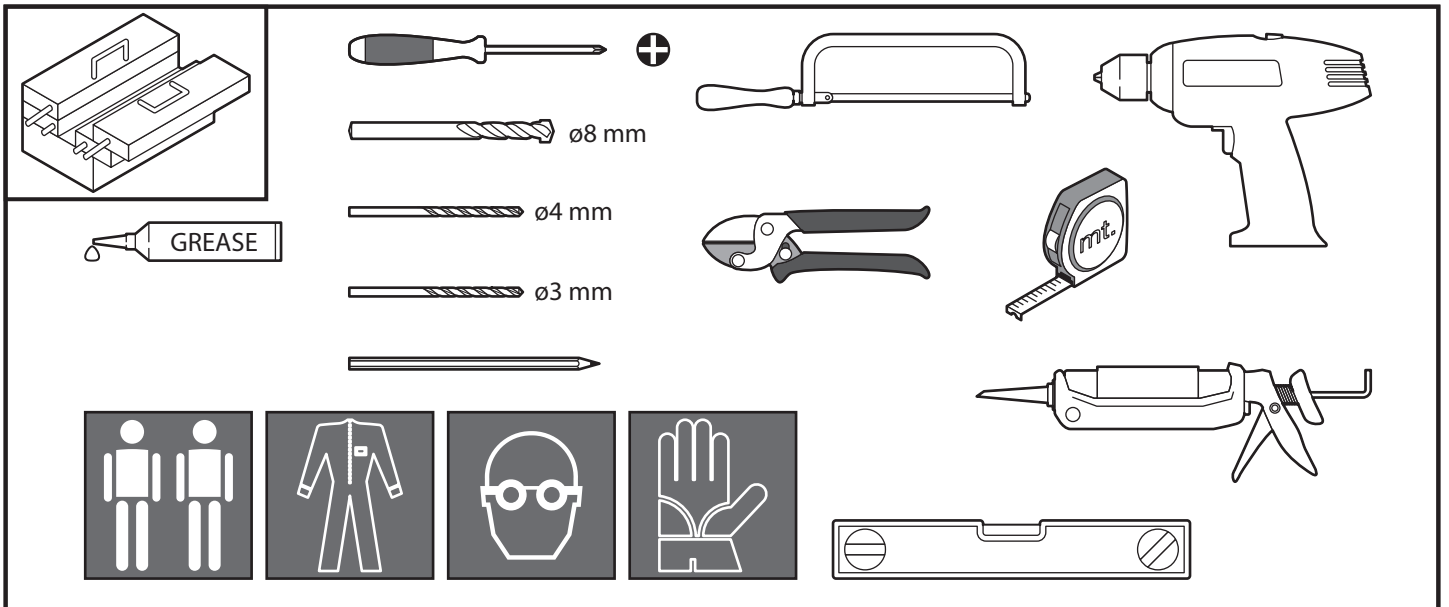


19

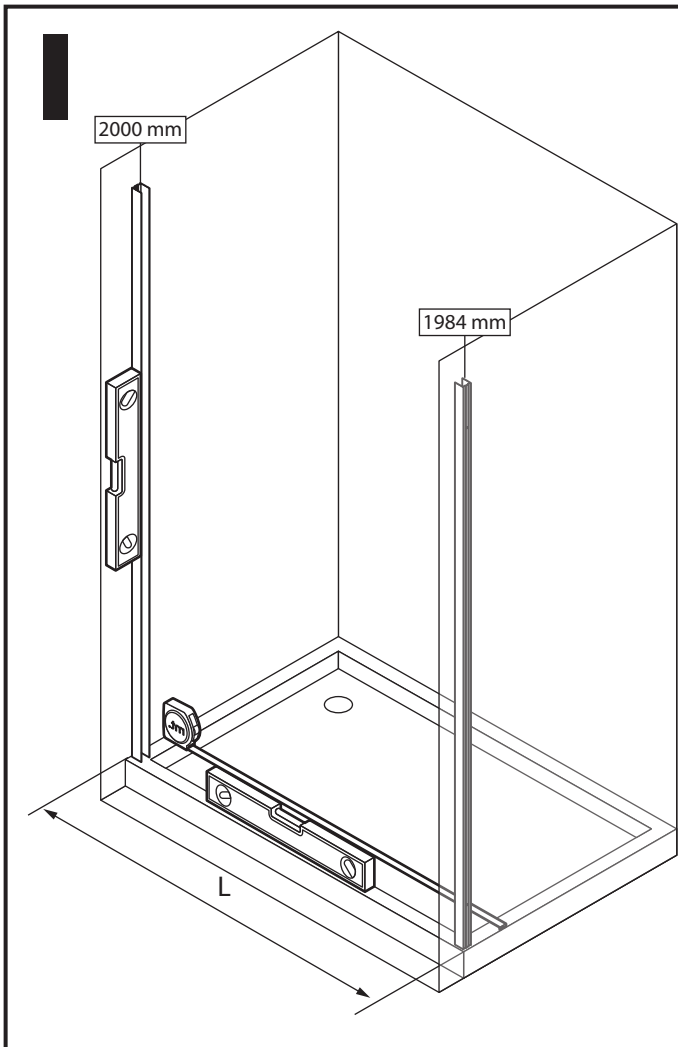


20

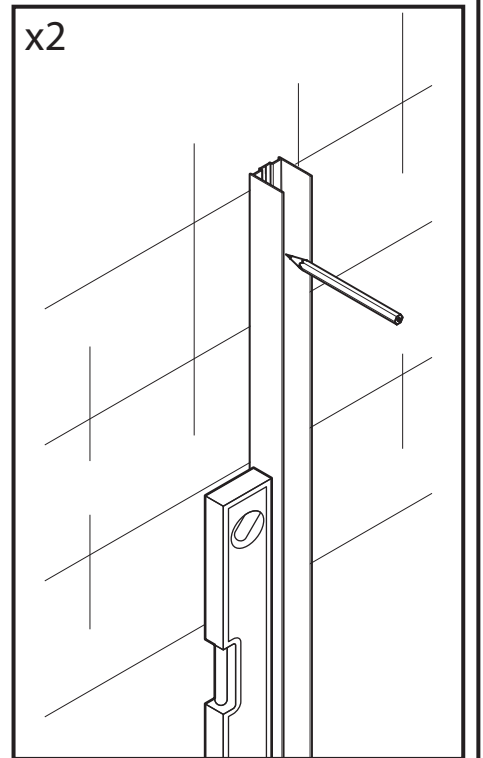
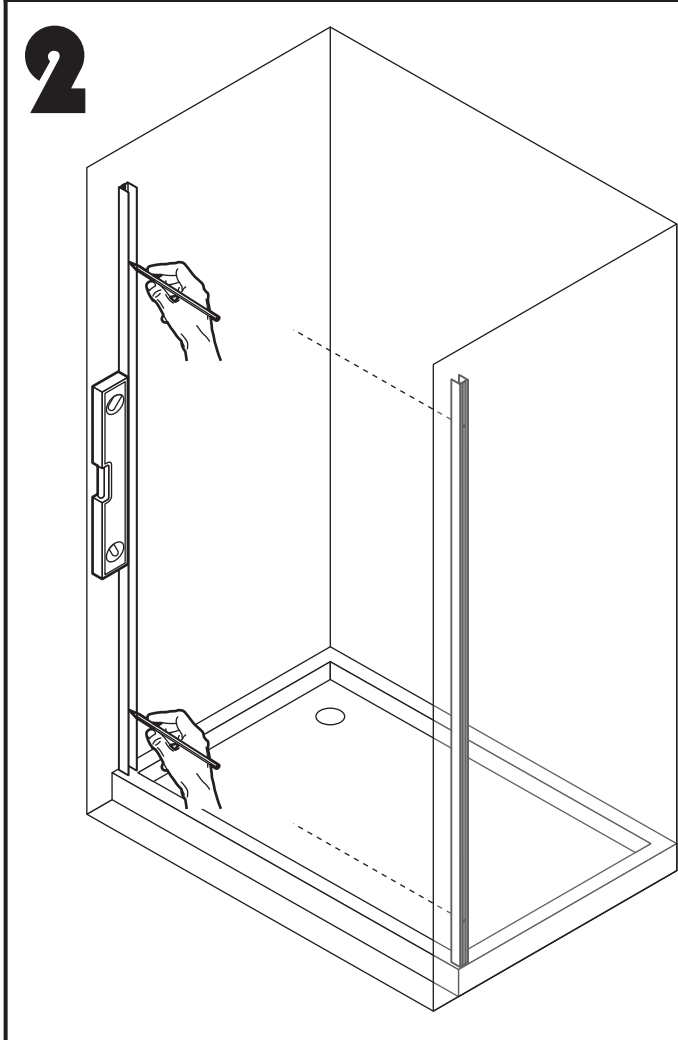
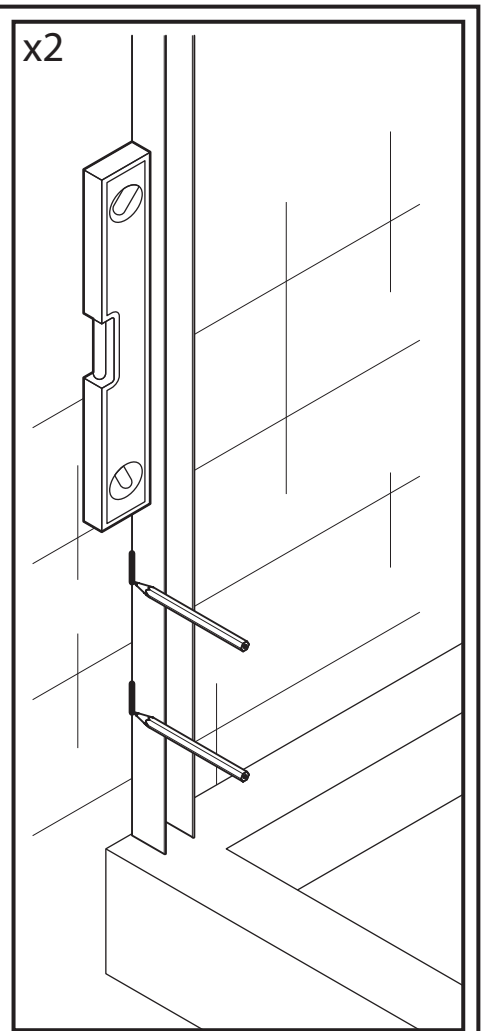




GFL97	L=97-101 cm
GFL107	L=107-111 cm
GFL114	L=114-118 cm
GFL117	L=117-121 cm
GFL134	L=134-138 cm
GFL137	L=137-141 cm
GFL147	L=147-151 cm
GFL154	L=154-158 cm
GFL157	L=157-161 cm
GFL164	L=164-168 cm
GFL167	L=167-171 cm
GFL177	L=177-181cm



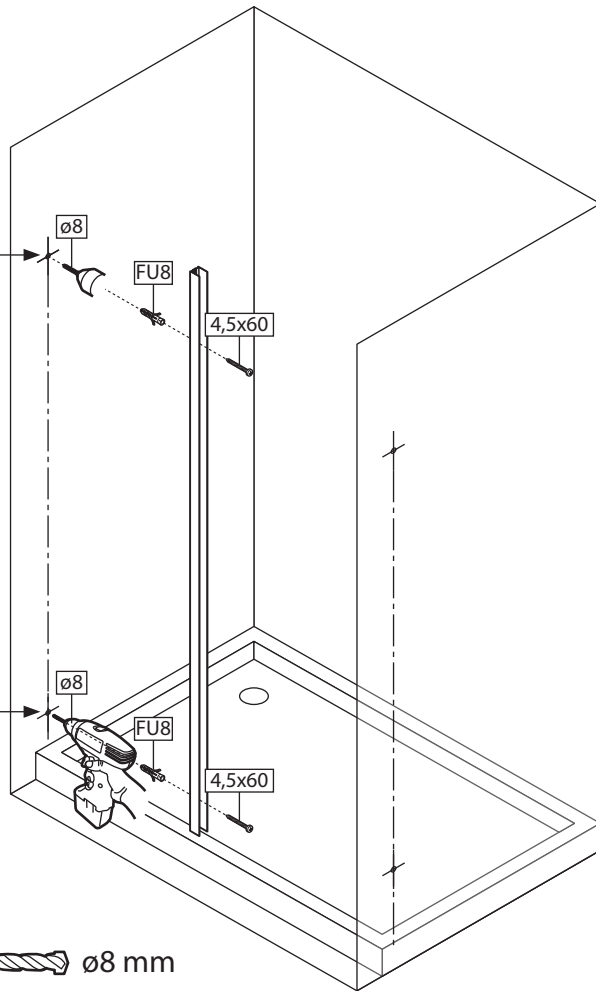
GFL97	L=97-101 cm
GFL107	L=107-111 cm
GFL114	L=114-118 cm
GFL117	L=117-121 cm
GFL134	L=134-138 cm
GFL137	L=137-141 cm
GFL147	L=147-151 cm
GFL154	L=154-158 cm
GFL157	L=157-161 cm
GFL164	L=164-168 cm
GFL167	L=167-171 cm
GFL177	L=177-181 cm



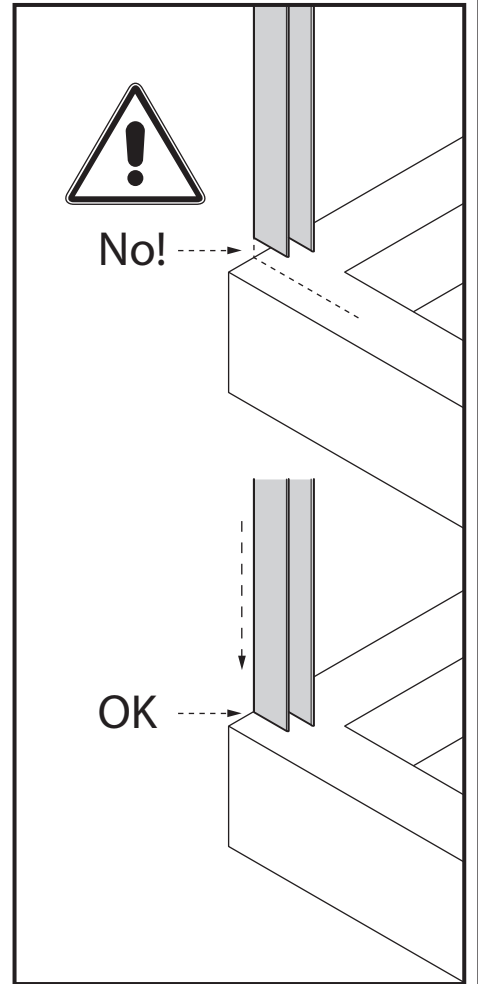
3

2°

1°



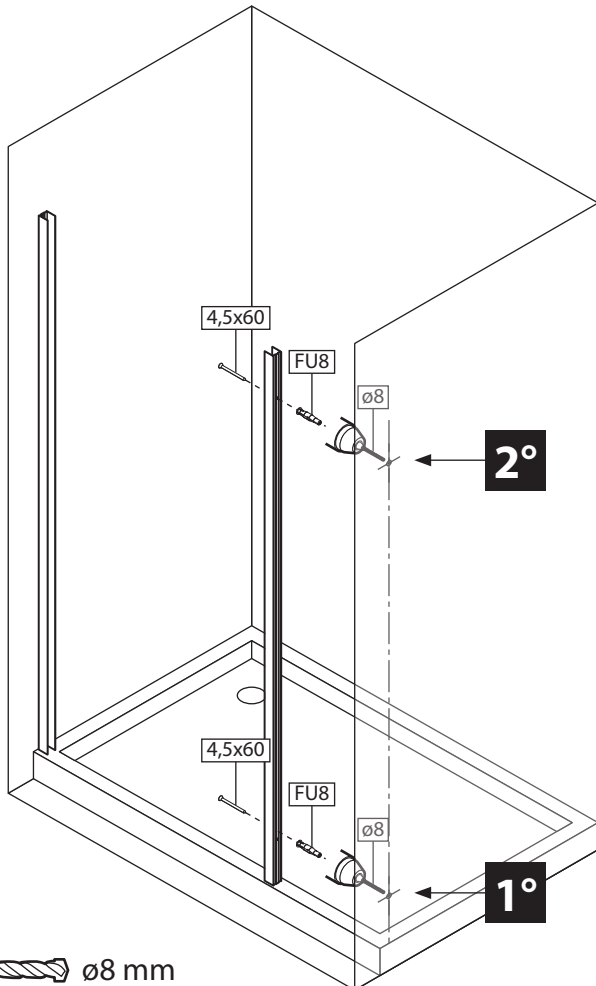
 $\varnothing 8$ mm



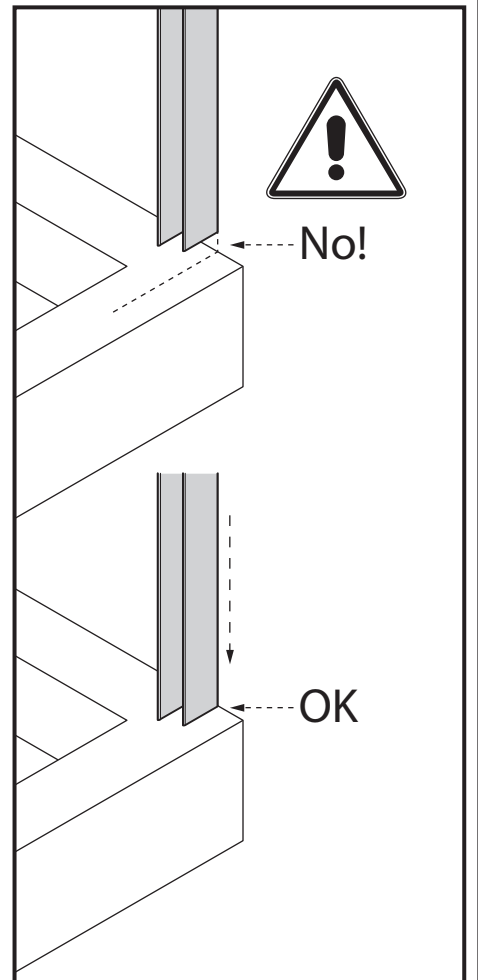
4

2°

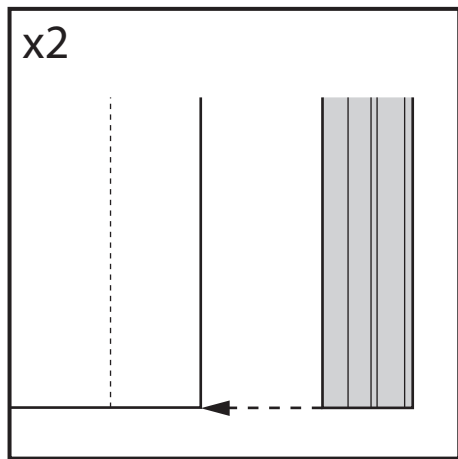
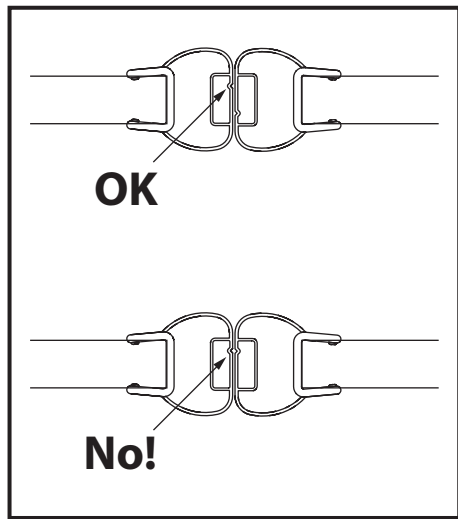
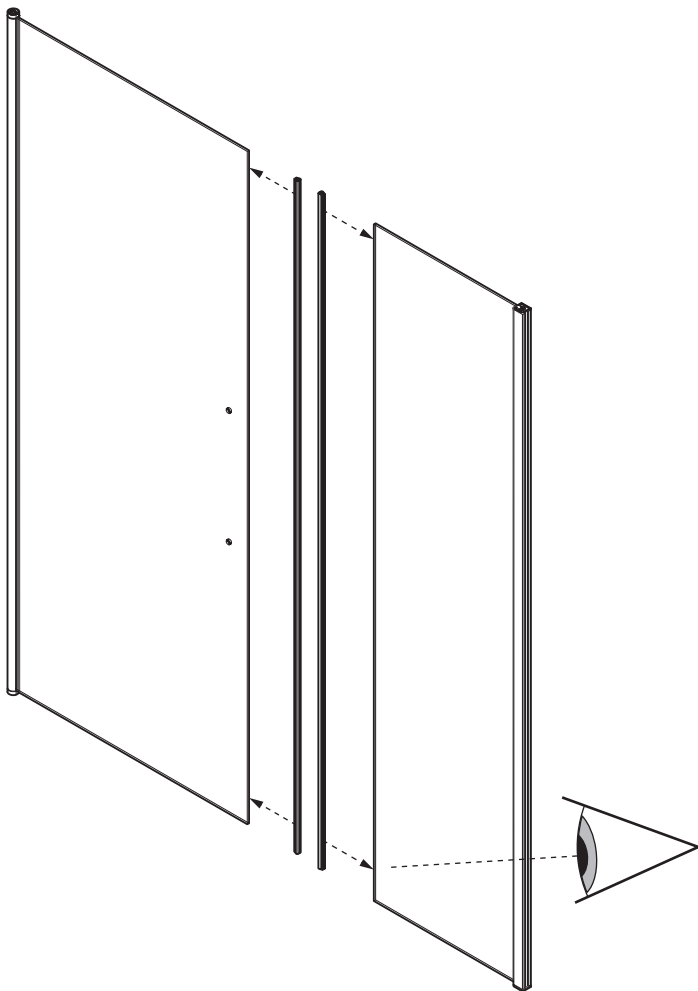
1°



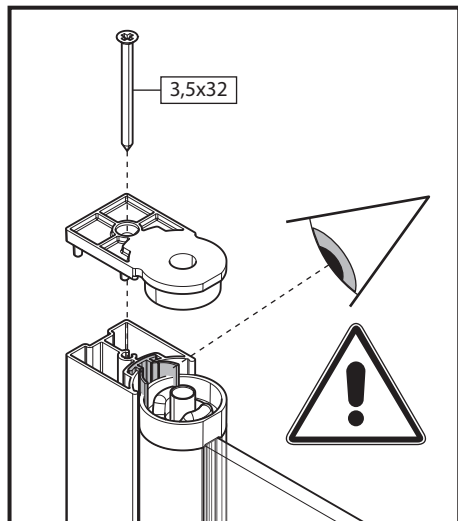
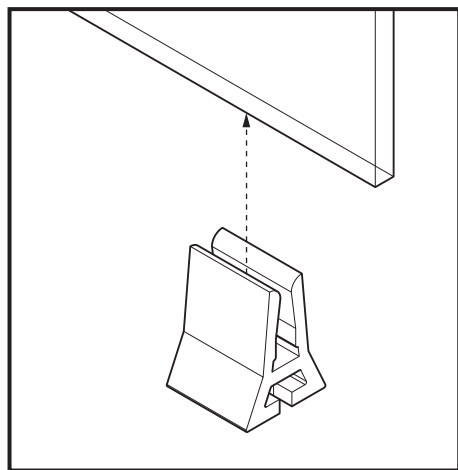
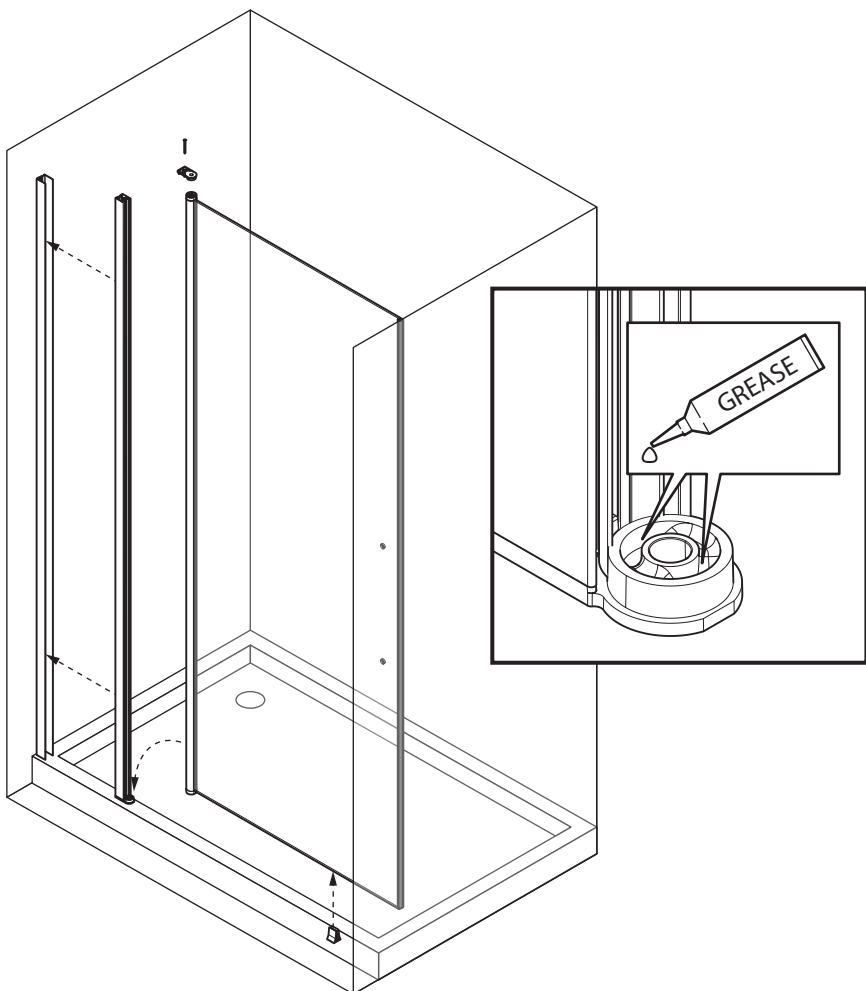
 $\varnothing 8$ mm



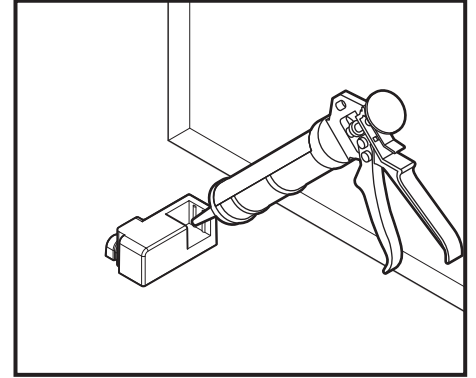
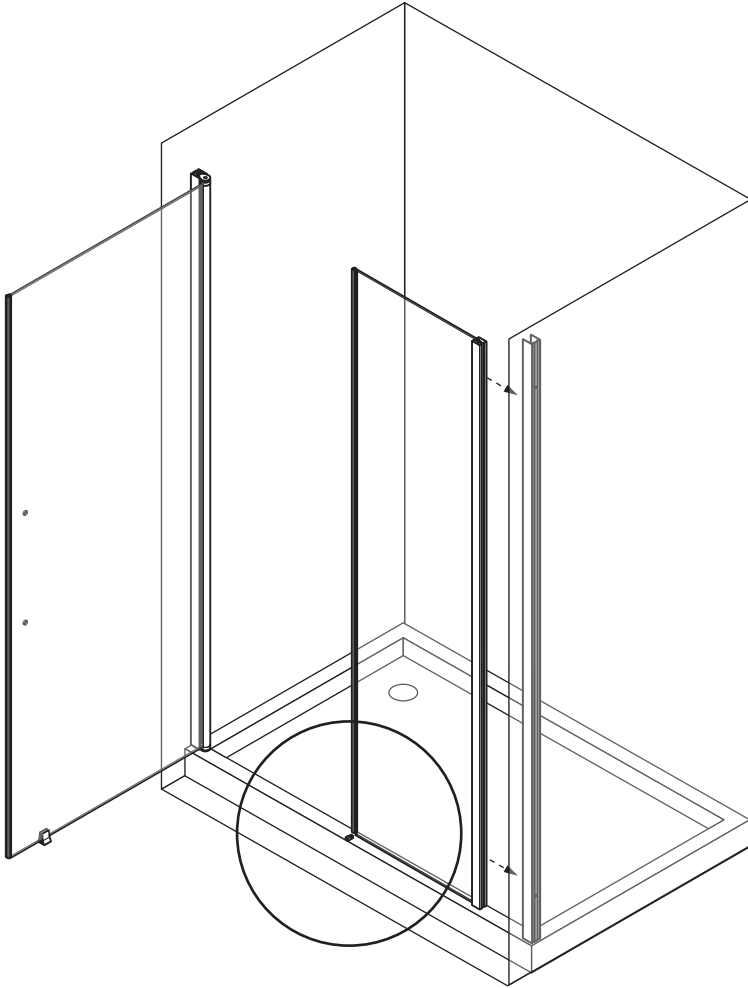
5



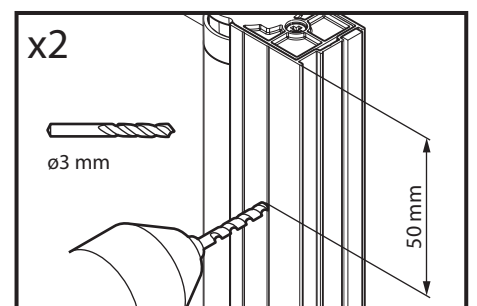
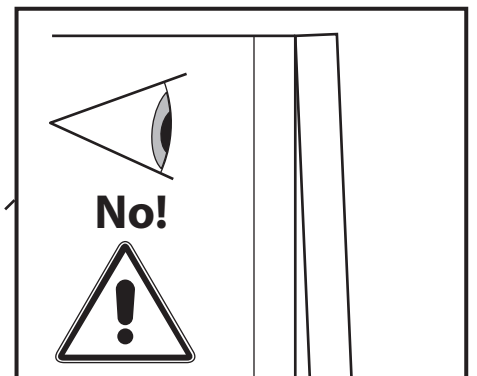
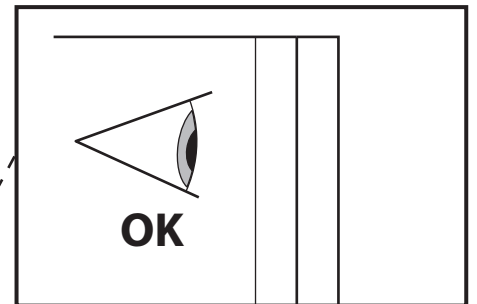
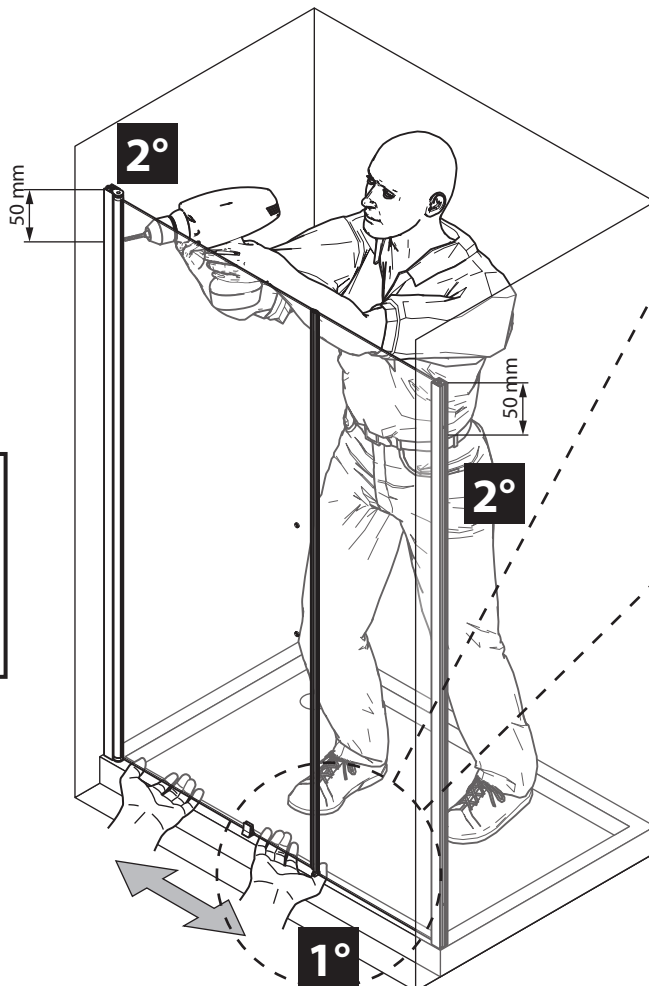
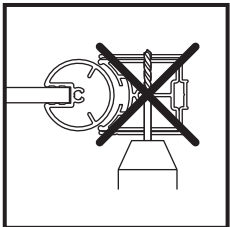
6



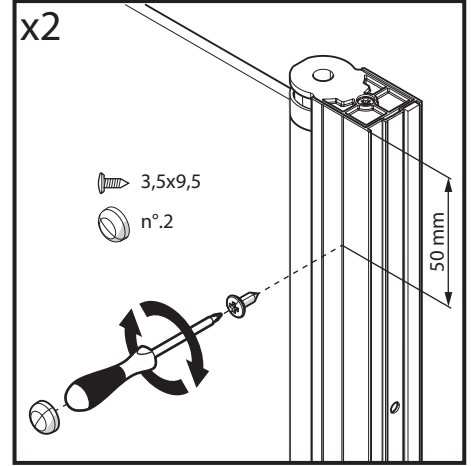
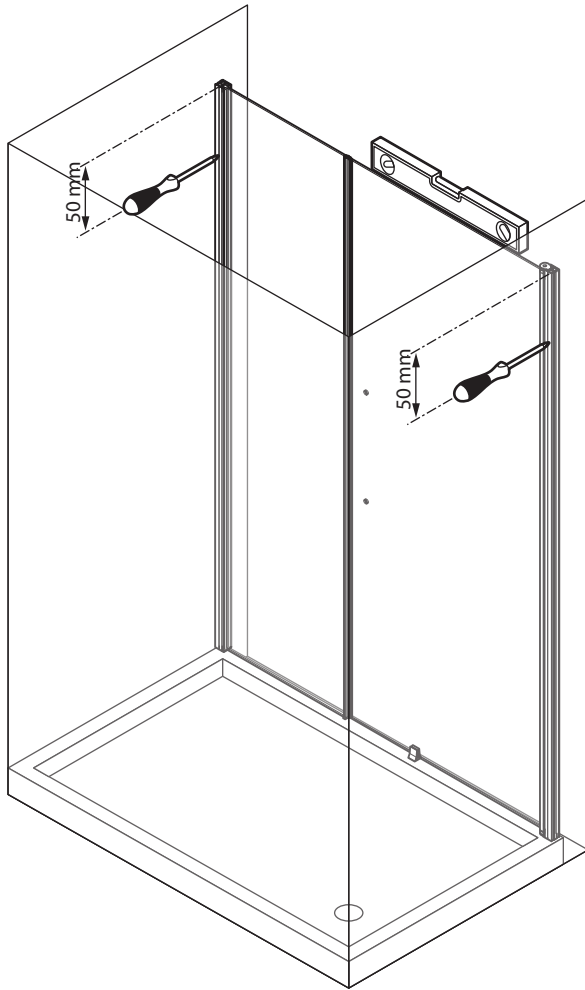
7



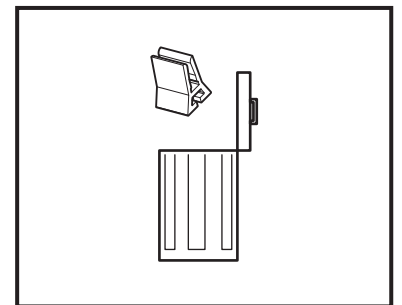
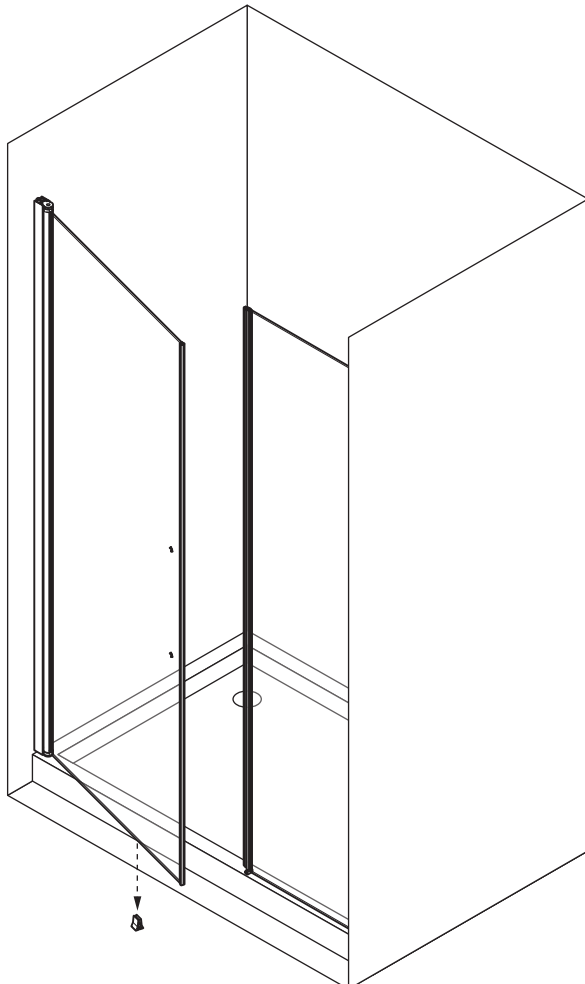
8

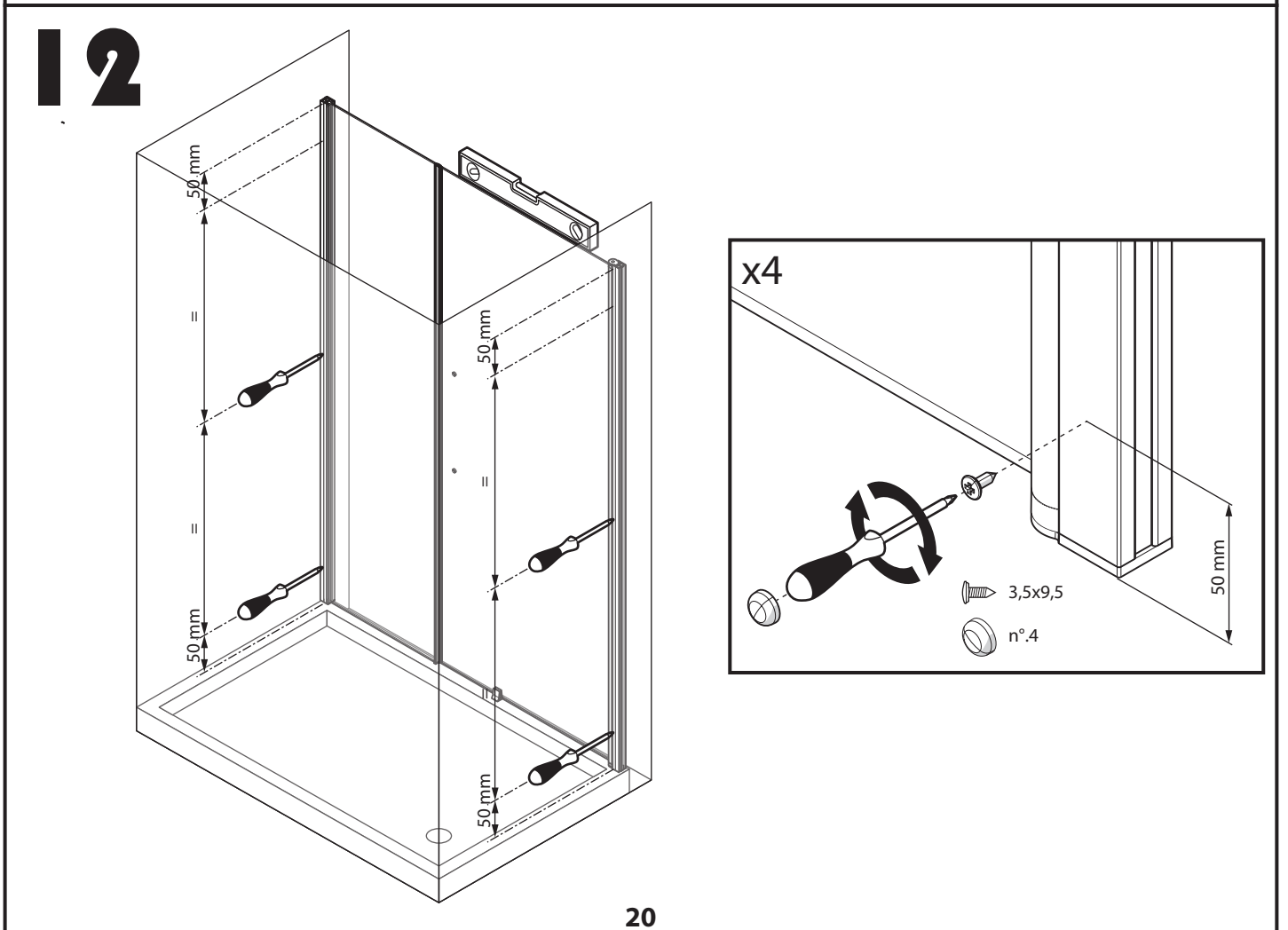
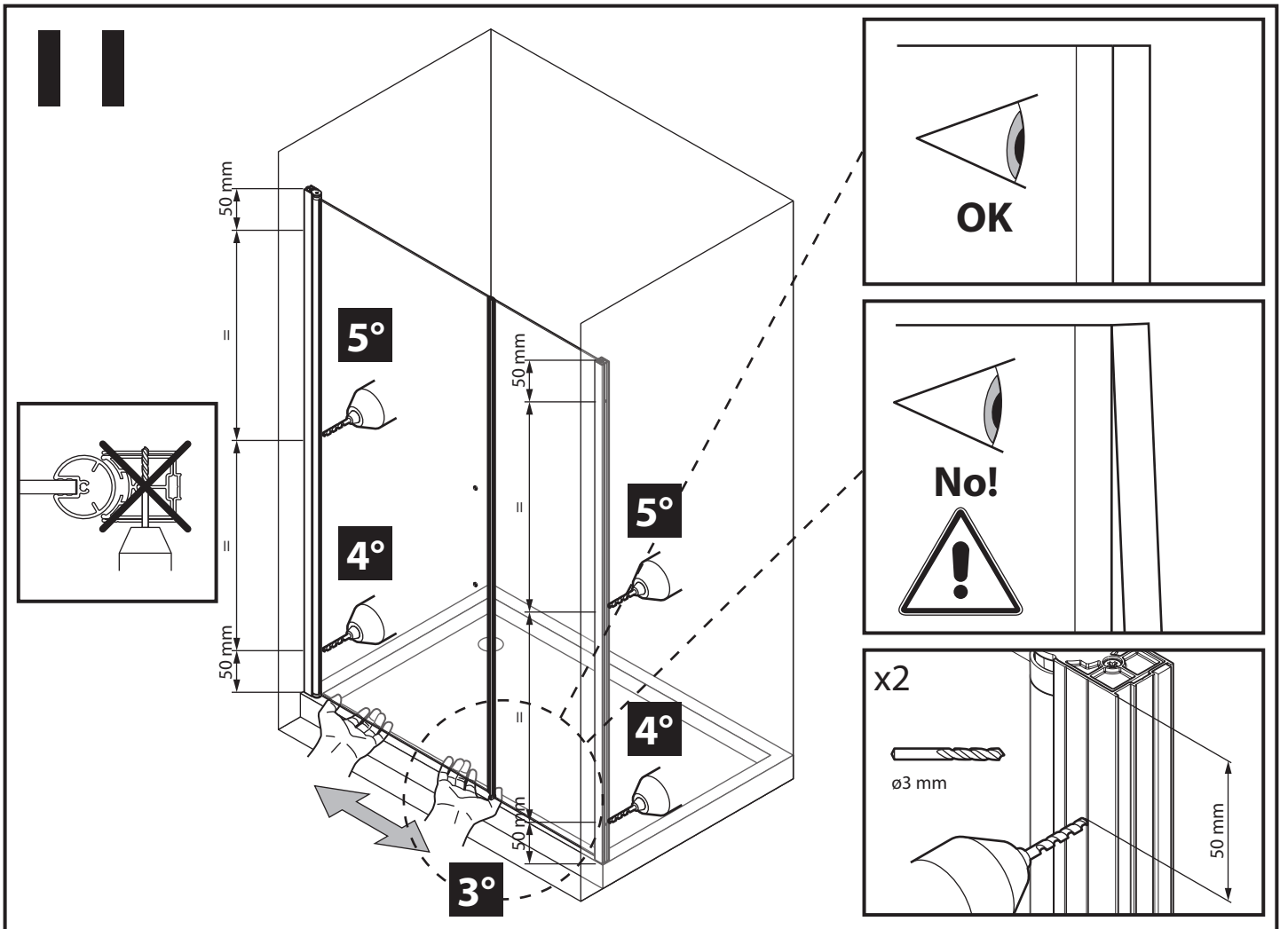


9

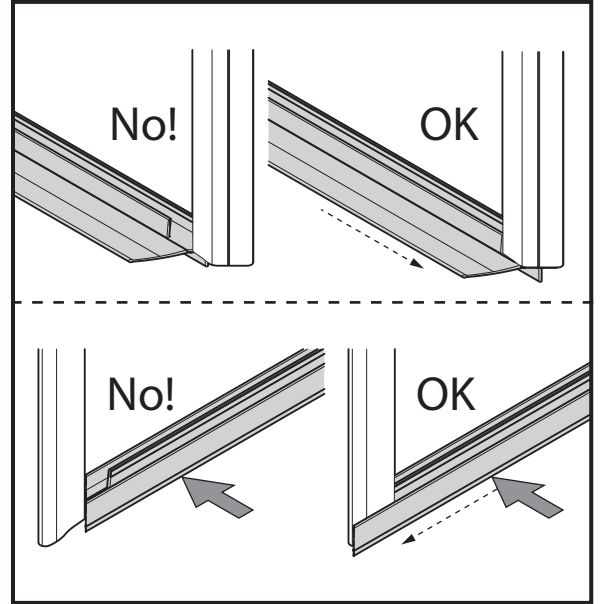
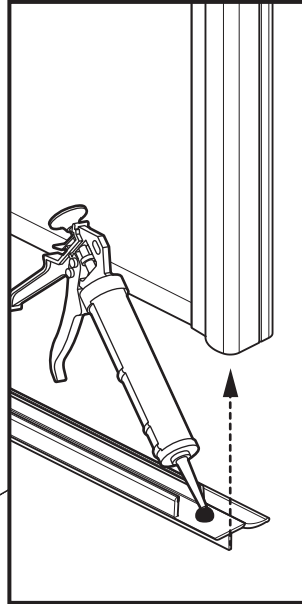
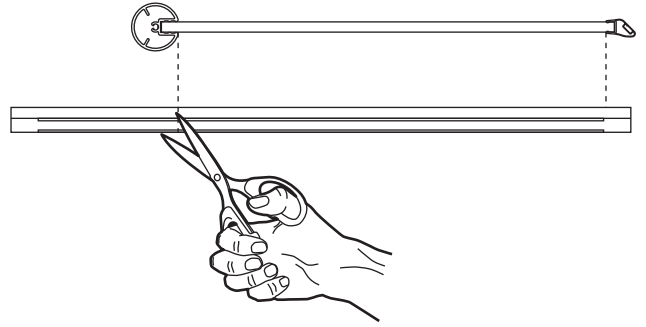
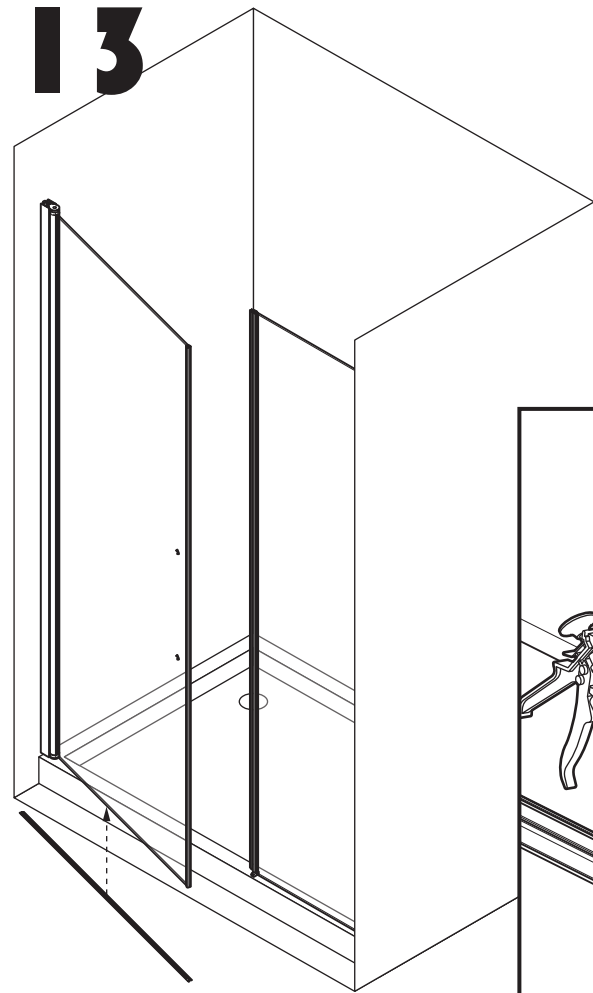


10

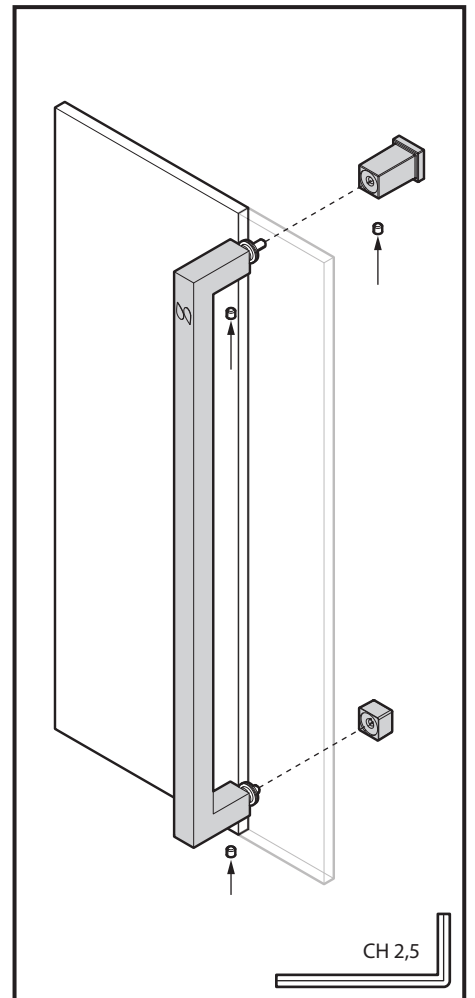
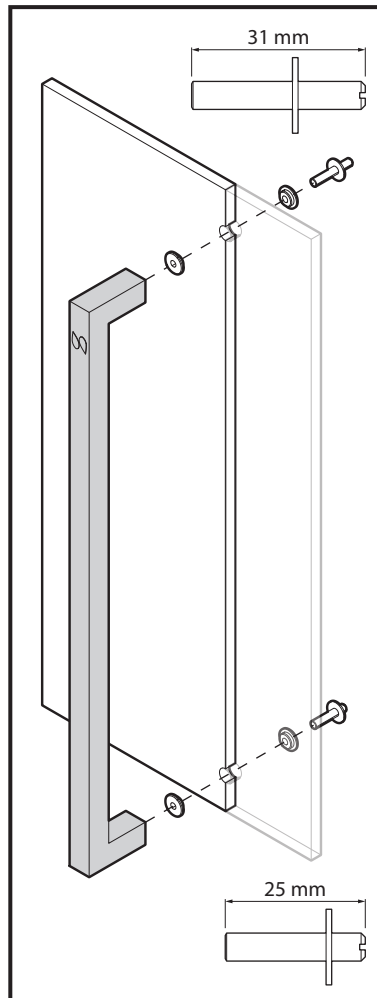
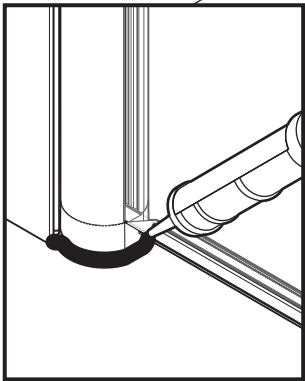
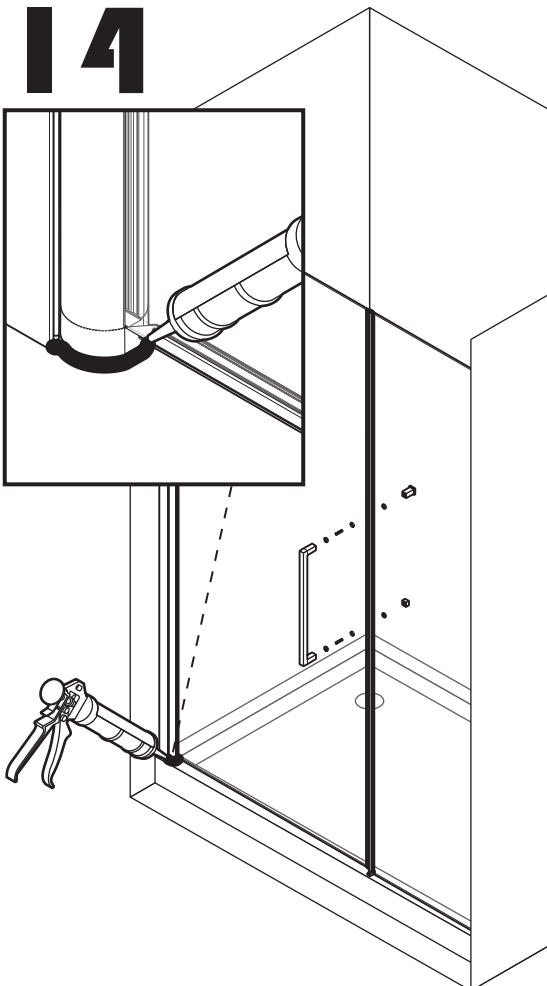




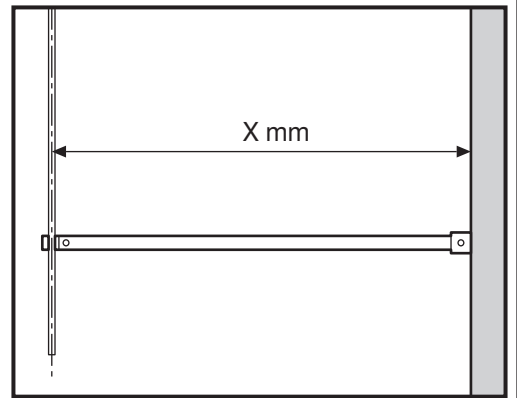
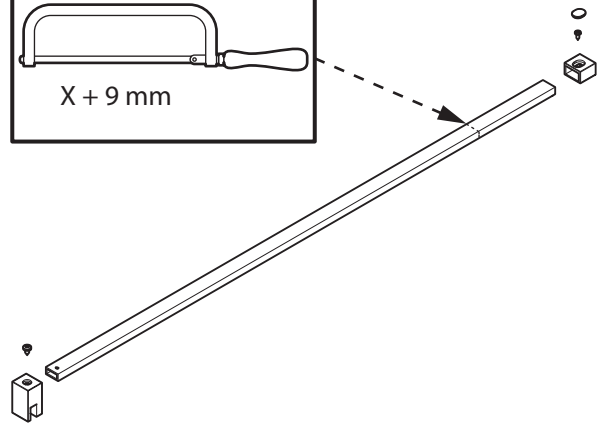
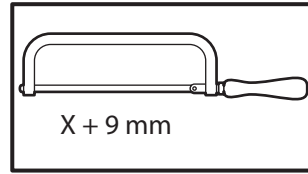
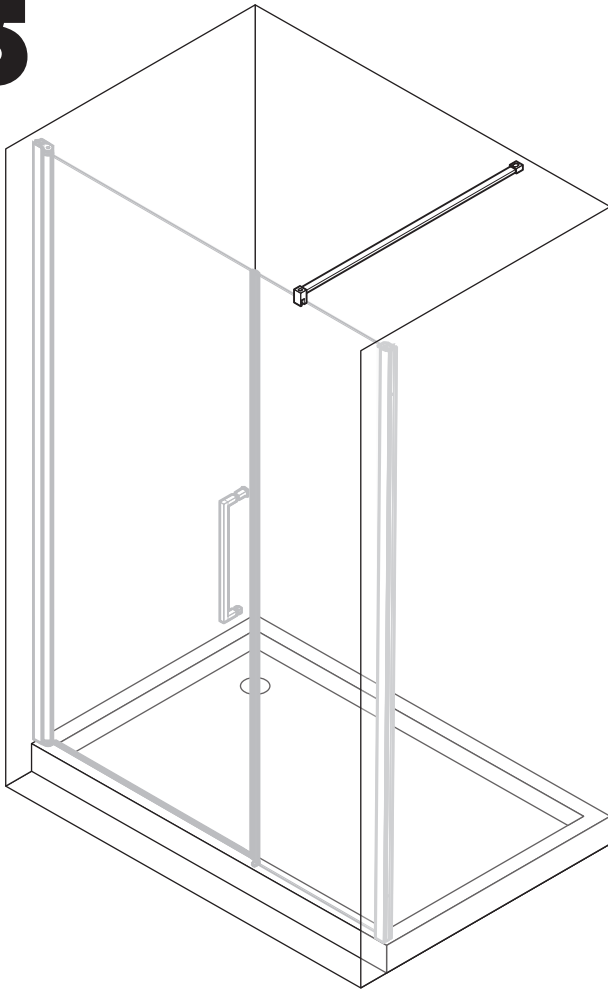
13



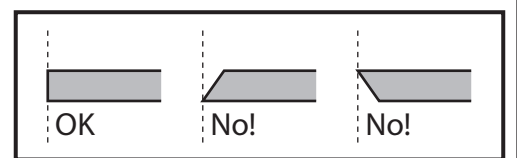
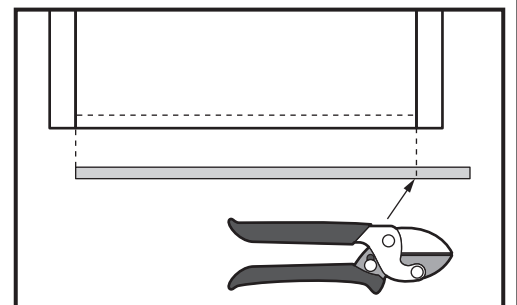
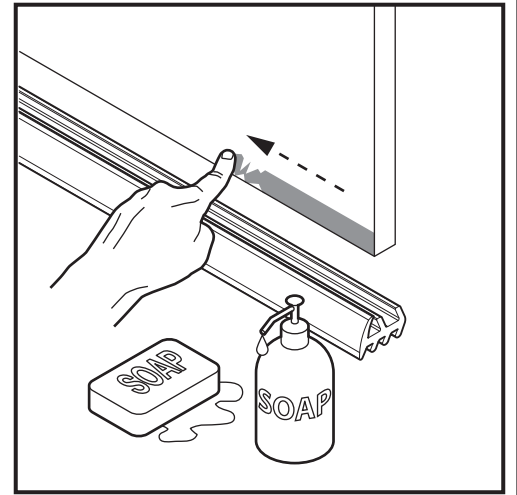
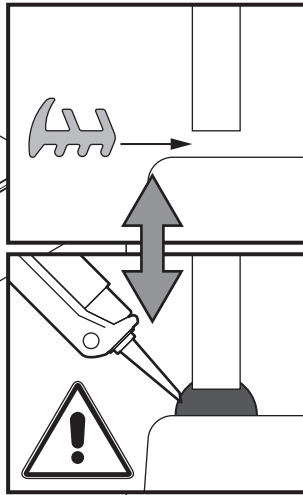
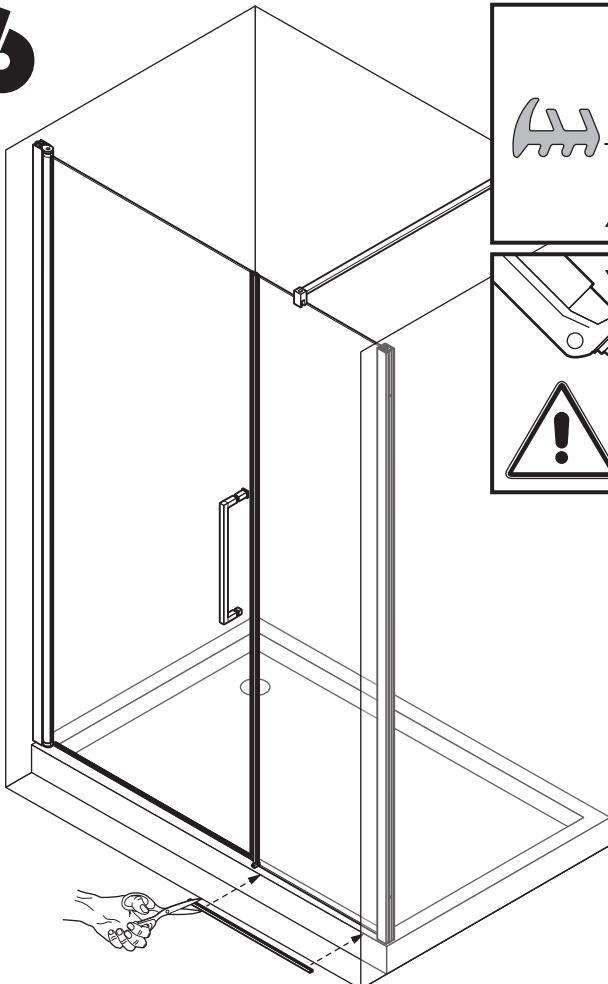
14



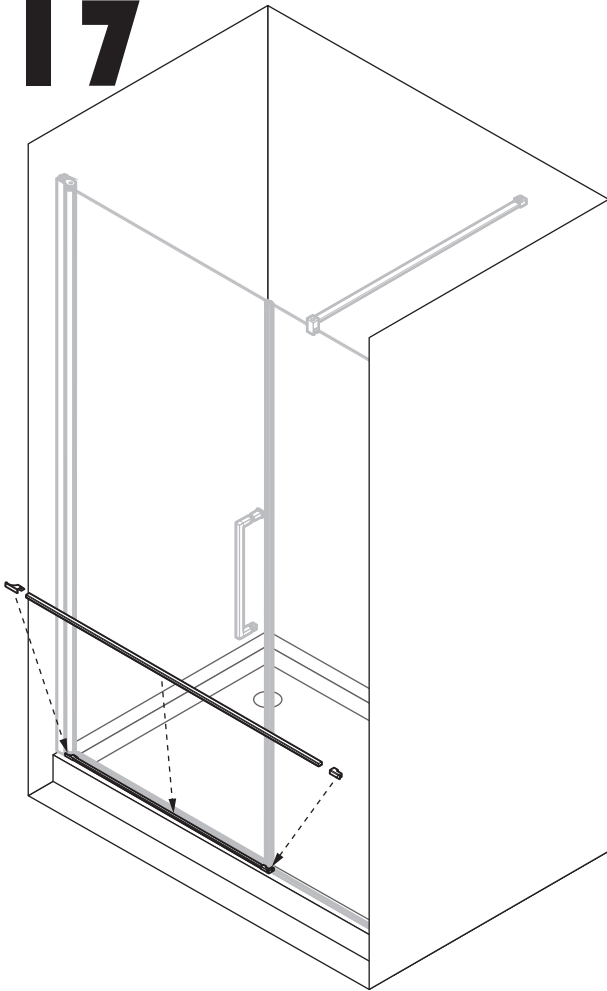
15



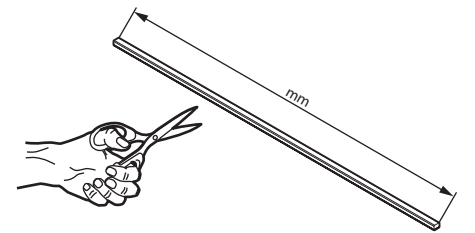
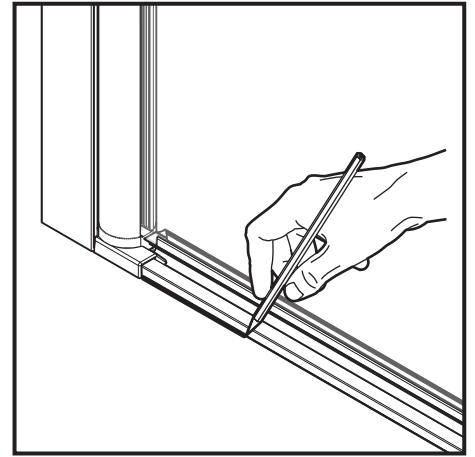
16



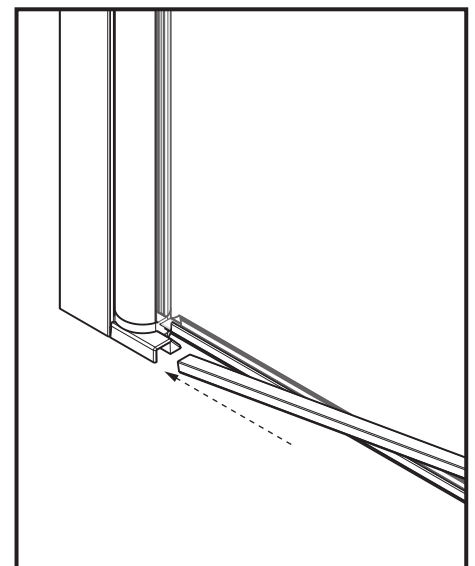
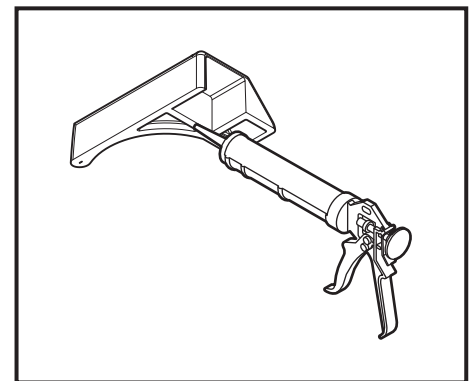
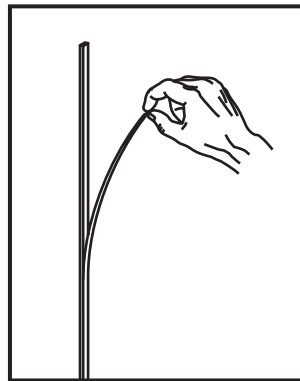
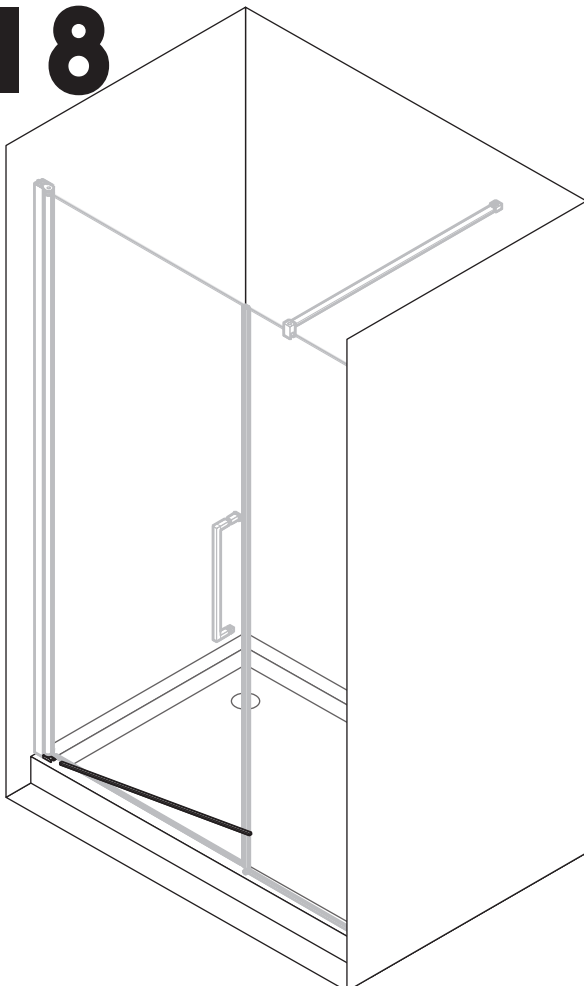
17



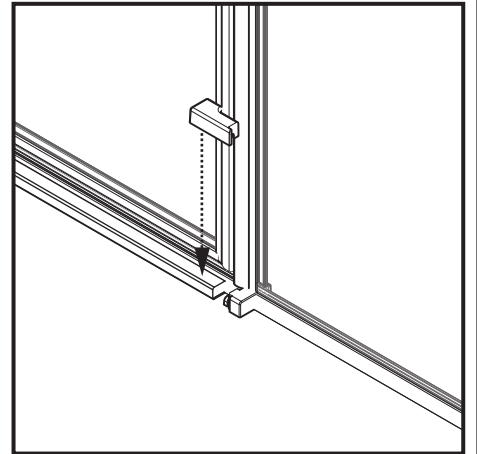
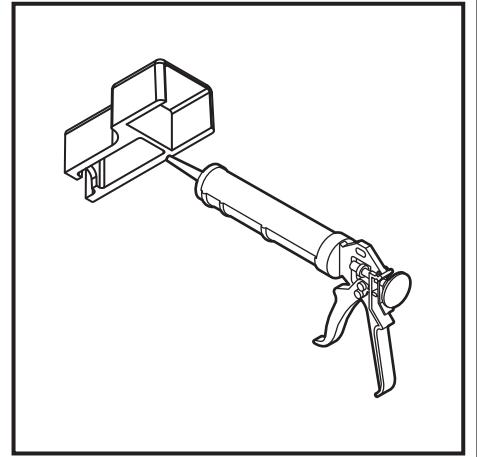
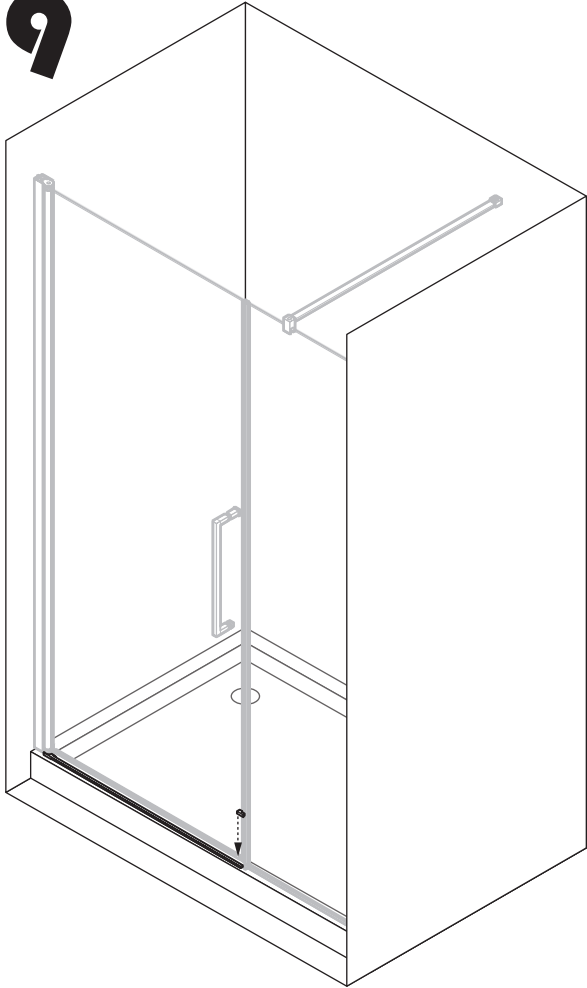
G+FL	mm (Est.-98mm)
97-101	572
107-111	572
114-118	642
117-121	672
134-138	772
137-141	772
147-151	872
154-158	872
157-161	872
164-168	872
167-171	872
177-181	872



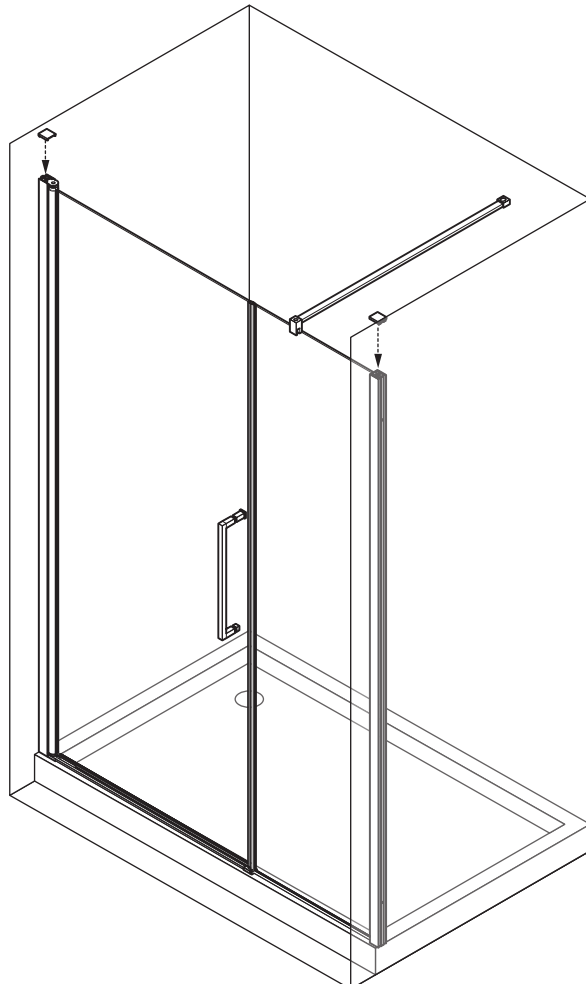
18



19



20



21

